

FUN BUILDING BLOCKS MANUAL



Find more ideas here.



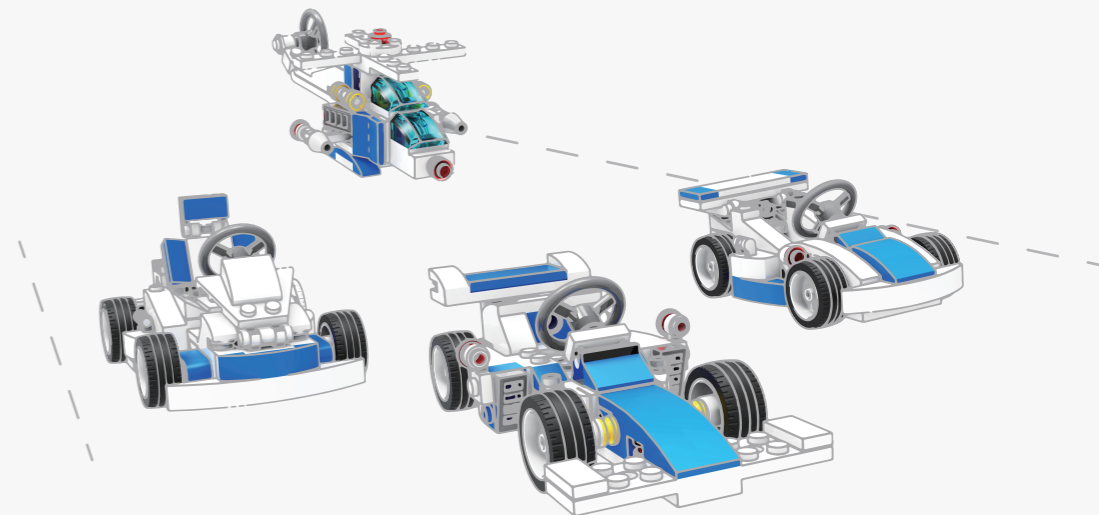
iOS



Android

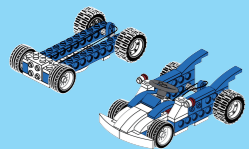
APP Download

150⁺ PCS
30⁺ in 1



MKZ-BK-FB

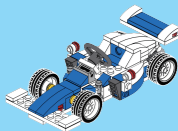
Stretchy Battle P04



Star Warrior P13



F1 Racing Car P17



Star Warrior Series

	Star Warrior ☆☆☆☆		Helicopter ☆☆☆☆
	Star Captain ☆☆☆☆		Attack Helicopter ☆☆☆☆
	Space Warship ☆☆☆☆		Jedi Fighter ☆☆☆☆
	X-Wing ☆☆☆☆		Missile Launching Vehicle ☆☆☆☆
	Drone ☆☆☆☆		Unmanned Combat Vehicle ☆☆☆☆

Stretchy Battle Series

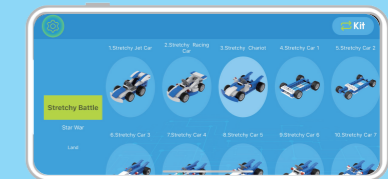
	Stretchy Racing Car ☆☆☆☆		Stretchy Jet Car ☆☆☆☆
	Stretchy Chariot ☆☆☆☆		Stretchy Car 7 ☆☆☆☆
	Stretchy Car 6 ☆☆☆☆		Stretchy Car 5 ☆☆☆☆
	Stretchy Car 4 ☆☆☆☆		Stretchy Car 3 ☆☆☆☆
	Stretchy Car 2 ☆☆☆☆		Stretchy Car 1 ☆☆☆☆

Land Series

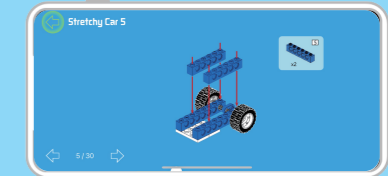
	F1 Racing Car ☆☆☆☆		Mining Truck ☆☆☆☆
	Go-kart ☆☆☆☆		Teleferic ☆☆☆☆
	Dune Buggy ☆☆☆☆		Maintenance Car ☆☆☆☆
	Bus ☆☆☆☆		Retro Car ☆☆☆☆
	Forklift ☆☆☆☆		Car ☆☆☆☆
	Eggbeater ☆☆☆☆		Gyro Emitter ☆☆☆☆



APP Download APP Icon



Model Interface

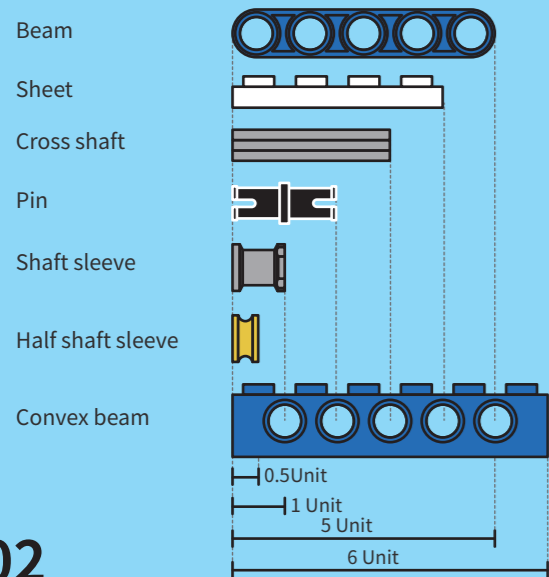


Building Tutorial

BASIC KNOWLEDGE ABOUT ROBOT PARTS

1.The Unit Size

One unit equals to eight millimeters. Generally the width, height, length of the part and the unit size are integer multiples.

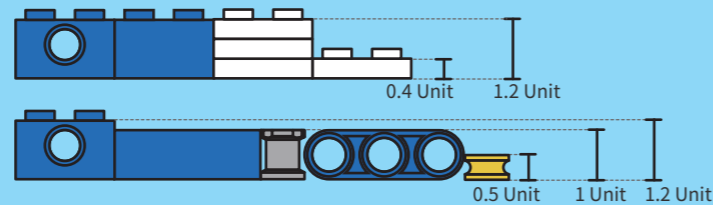


2.The Height of the Beam and the Hamburger Structure

The height of the beam and brick

The height of beam (or brick) = 1.2 unit = 9.6mm

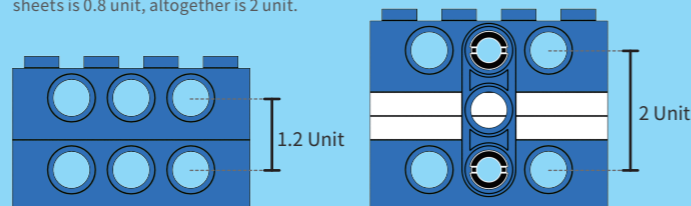
The height of a beam (or brick) equals to 3 sheets, so the height of each sheet is 0.4 unit, equals to 3.2mm.



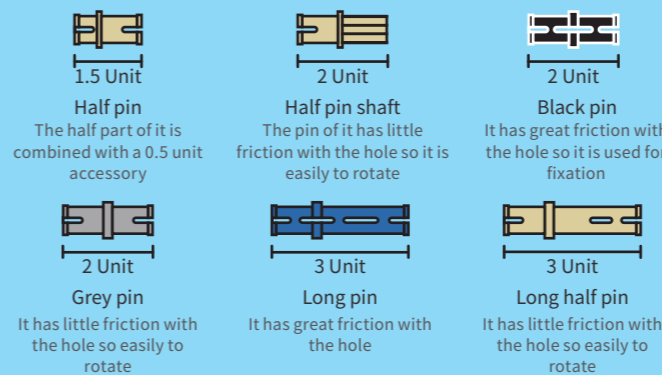
Hamburger Structure

The height of of two beams (or two bricks) and two sheets is 3.2 unit, the distance between two holes is 2 unit, simply understand as "2 thick+2 thin" (the two sheets should be put in the middle).

The distance between the two holes of two beams (or bricks) is 1.2 unit, the height of two sheets is 0.8 unit, altogether is 2 unit.

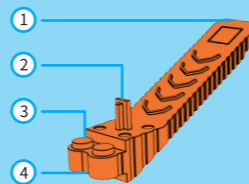


3.The Difference Between Pins



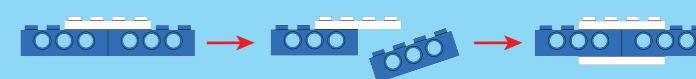
5.Disassembly Skills

The function of the splitter is to use the principle of leverage to dismantle parts, which is easy to use and quick to disassemble.



4.Use skills

Interlock

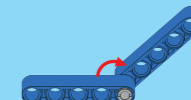


Lock with one block

Easily come off

Lock with two blocks to make it firmer

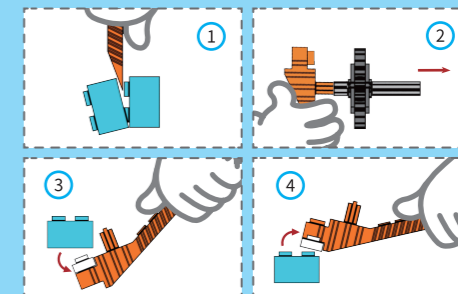
Two points determine a straight line



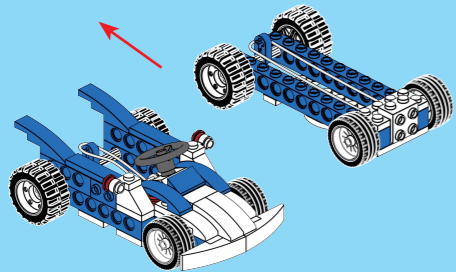
Connected with a pin, able to rotate



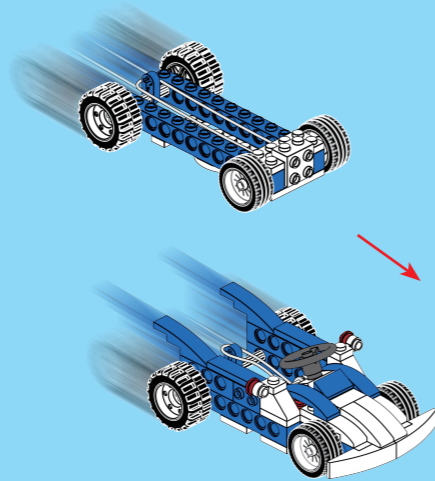
Connected with two or more pin, able to fix the shape



Stretchy Battle
Difficulty Level
★★★★☆



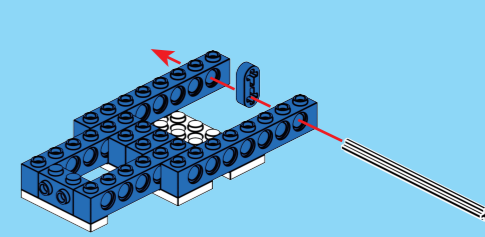
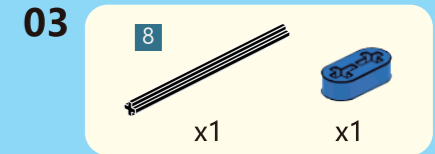
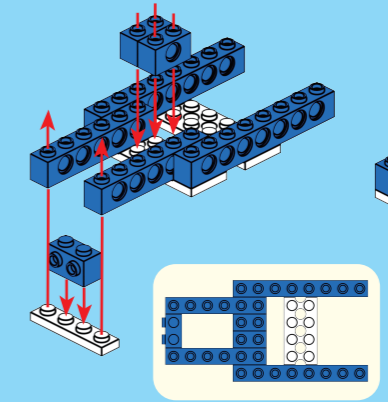
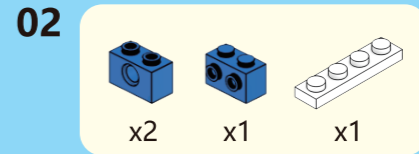
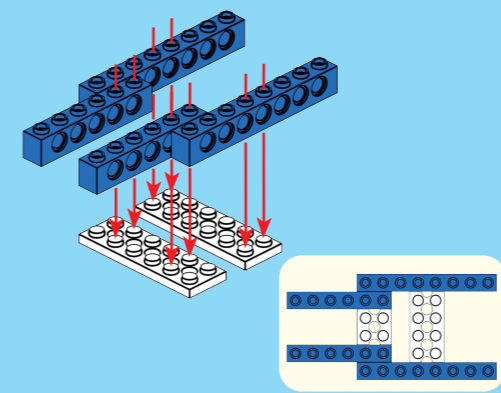
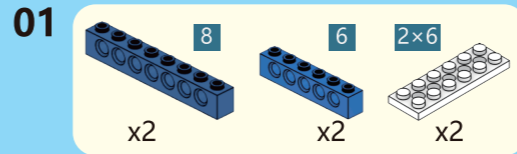
1 Push the car backward to tighten the rubber band.



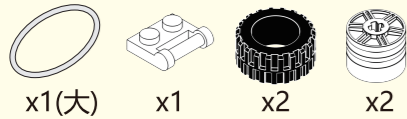
2 After loosening the car, the elastic force generated by the retraction of the rubber band drives the car forward.

04

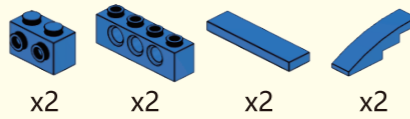
05



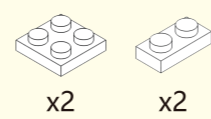
04



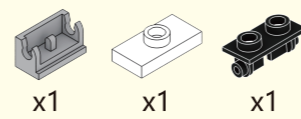
05



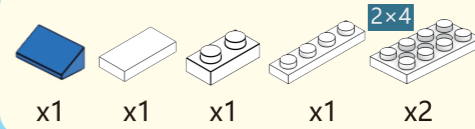
06



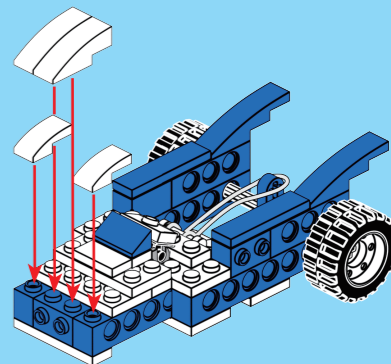
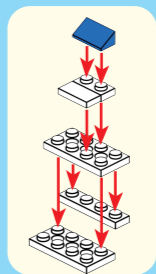
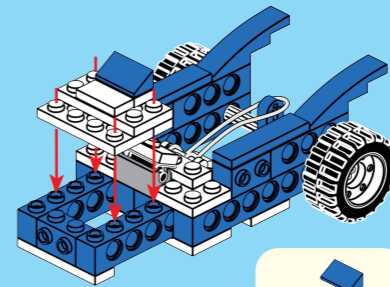
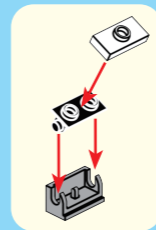
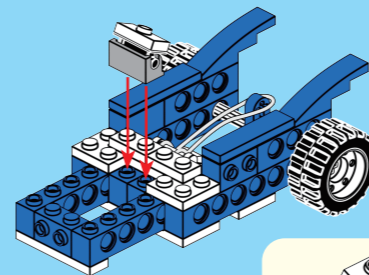
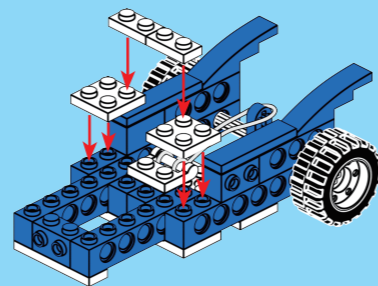
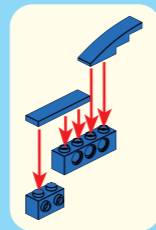
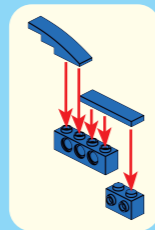
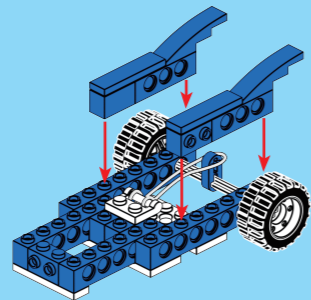
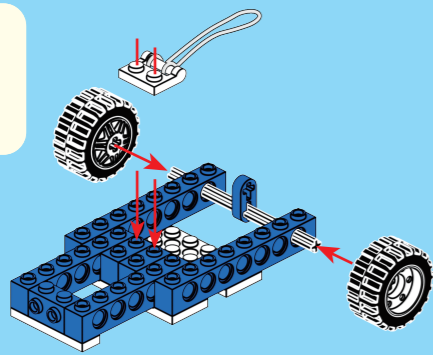
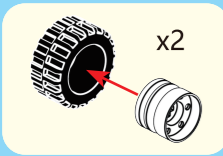
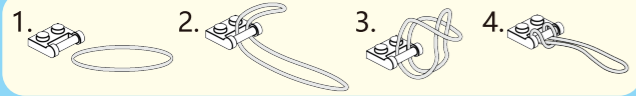
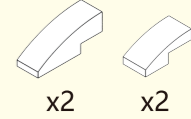
07



08



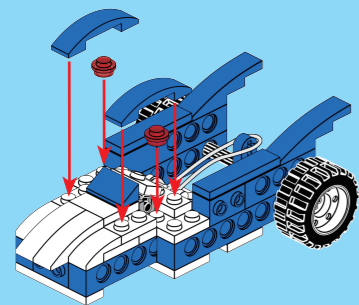
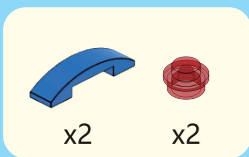
09



06

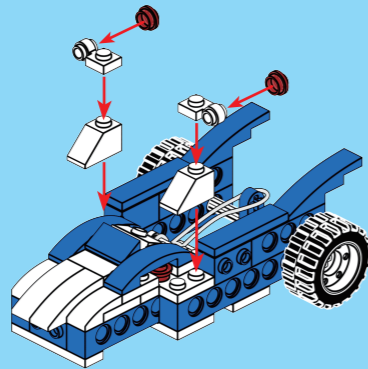
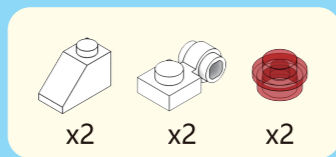
07

10

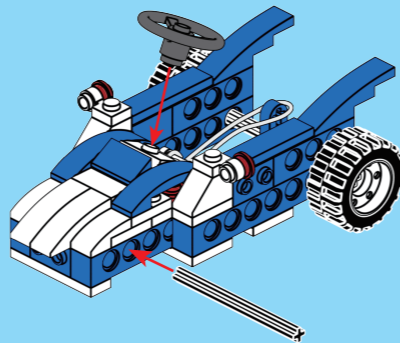
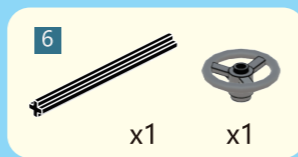


08

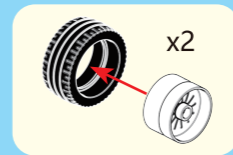
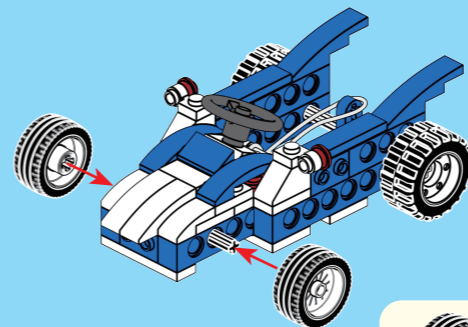
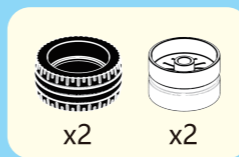
11



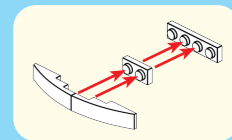
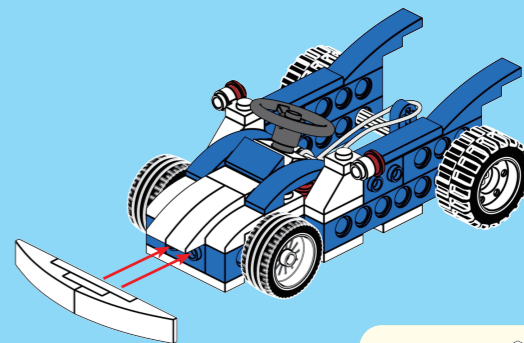
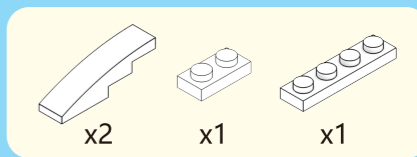
12



13

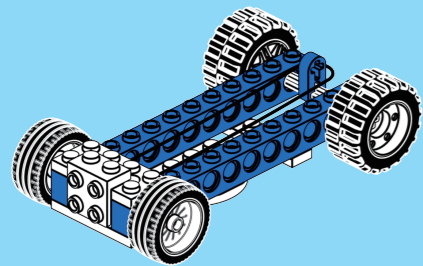


14

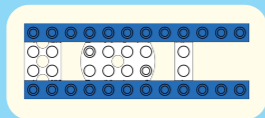
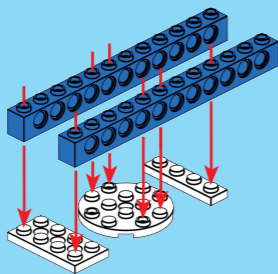
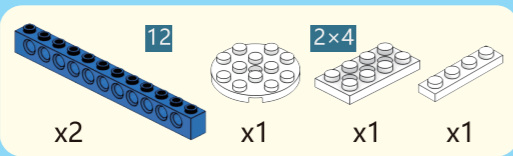


09

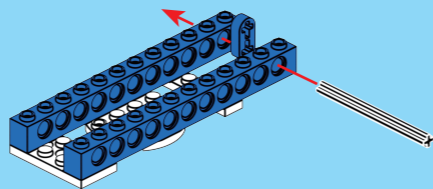
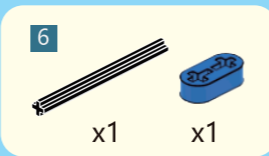




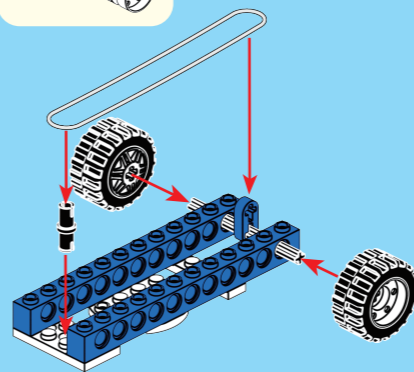
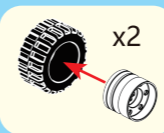
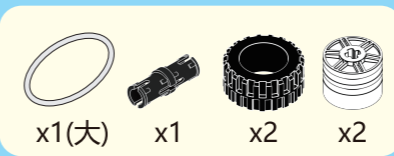
01



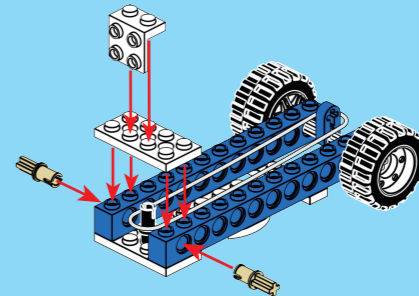
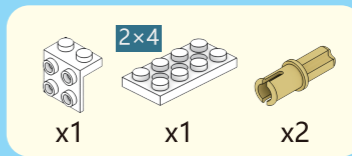
02



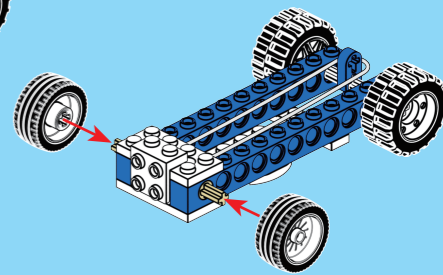
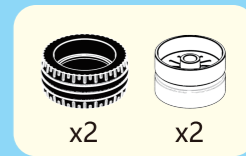
03



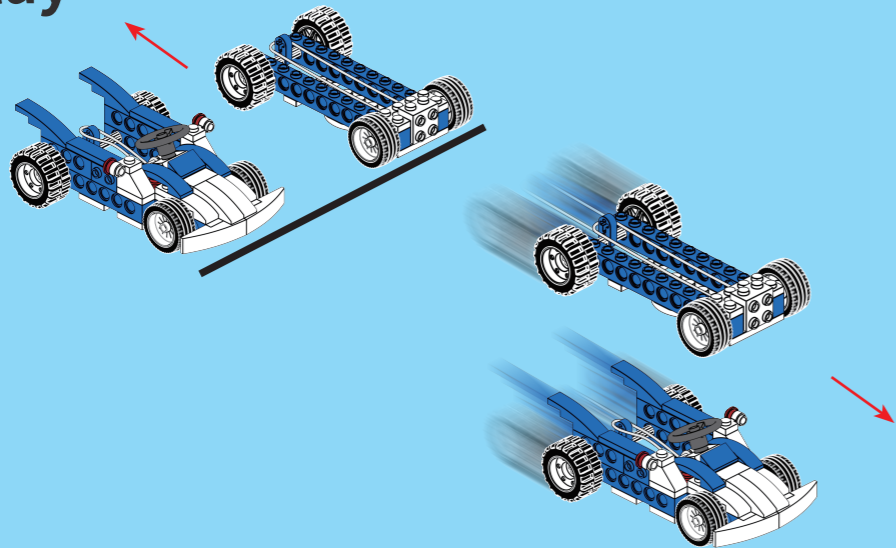
04



05



Gameplay

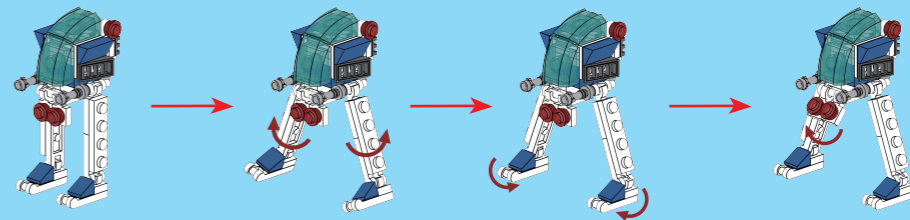
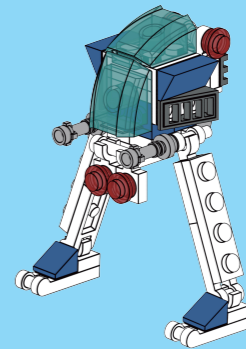


1 Push the car backwards to tighten the rubber bands so that the two stretch cars are on the same line.

2 When the car is loosened, the different elastic force produced by the retraction of the rubber band drives the car to move forward.

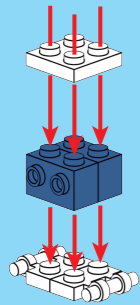
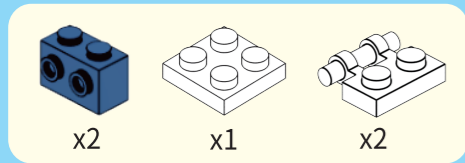
12

Star Warrior
Difficulty Level
★ ★ ☆ ☆ ☆

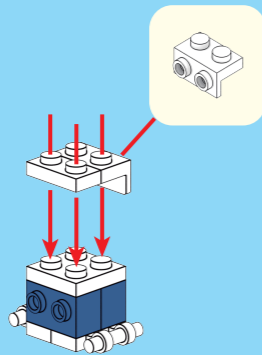
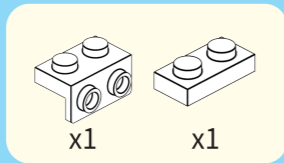


13

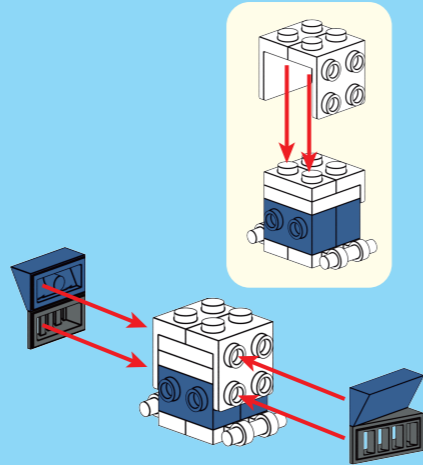
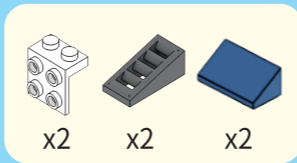
01



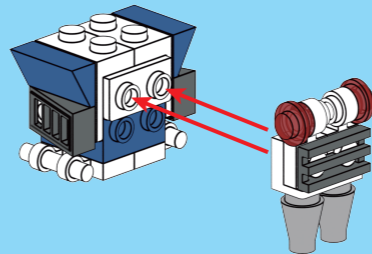
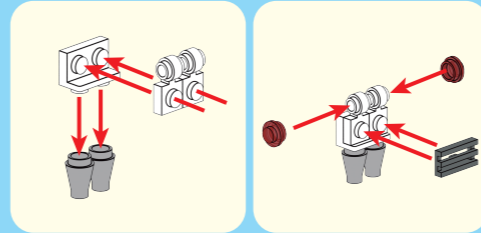
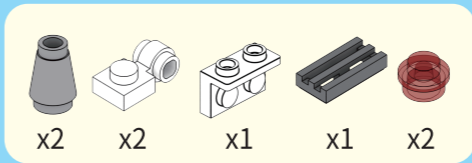
02



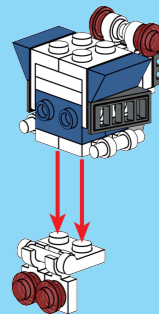
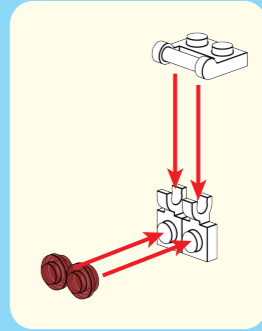
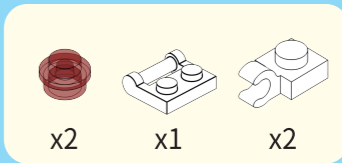
03



04



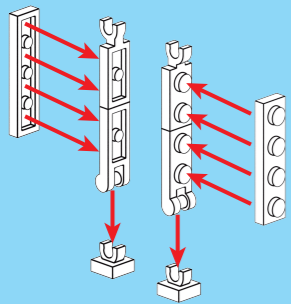
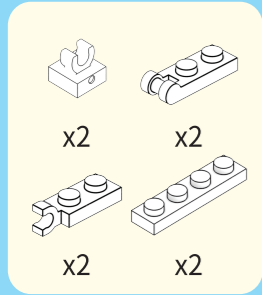
05



14

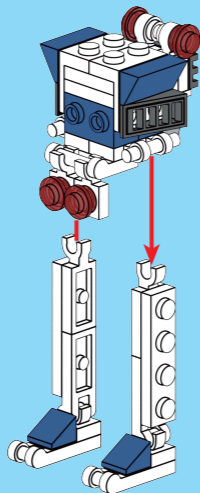
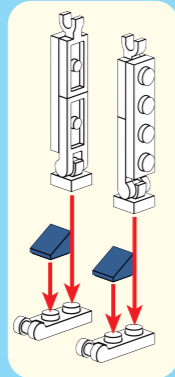
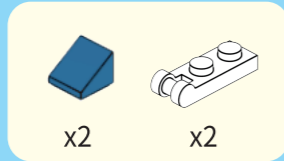
15

06

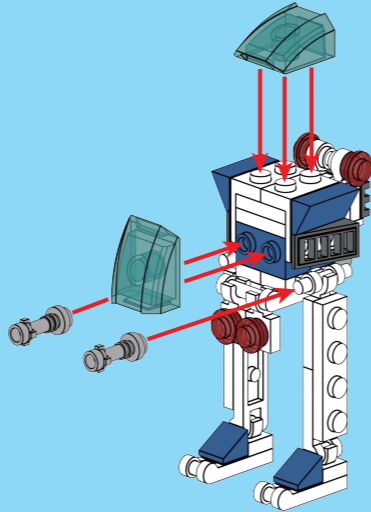
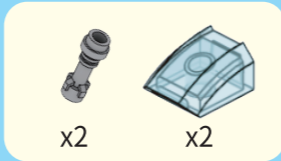


16

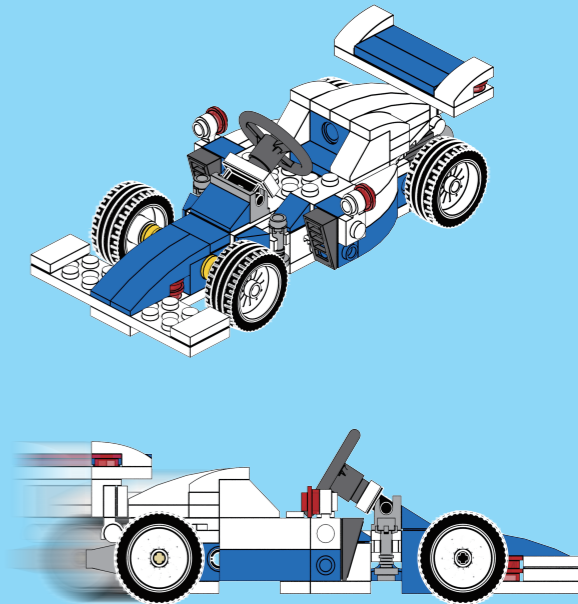
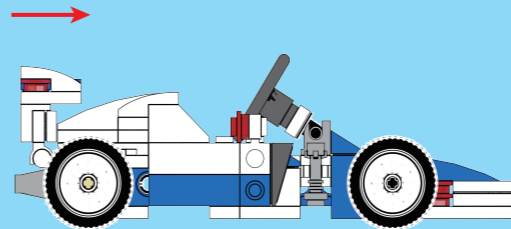
07



08

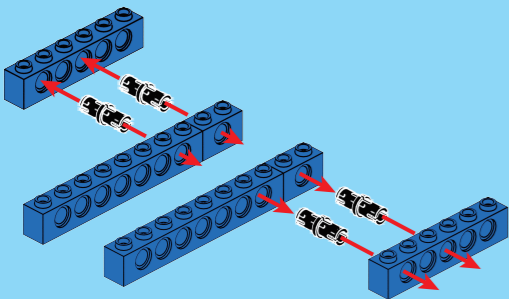
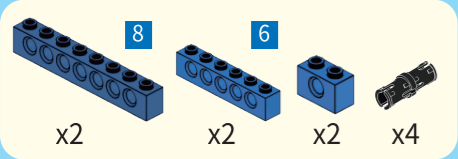


F1 Racing Car
Difficulty Level
★★★★☆



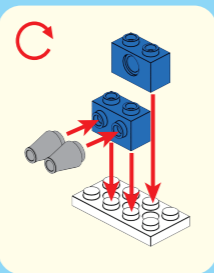
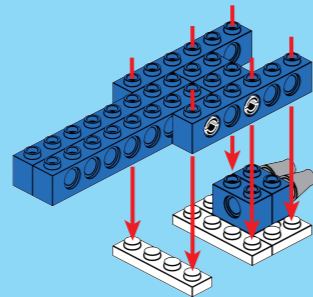
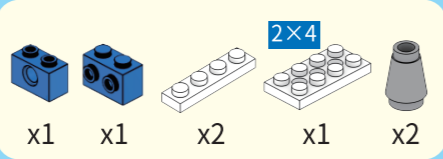
17

01

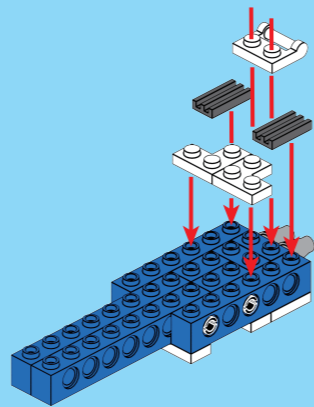
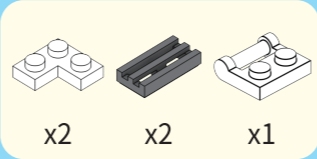


18

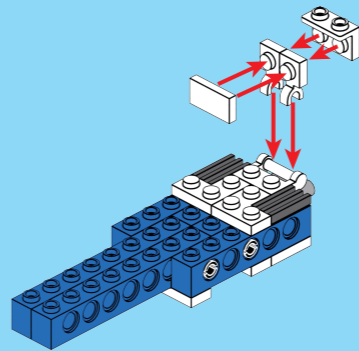
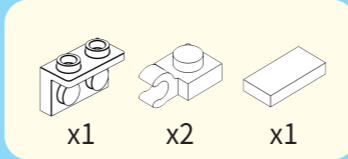
02



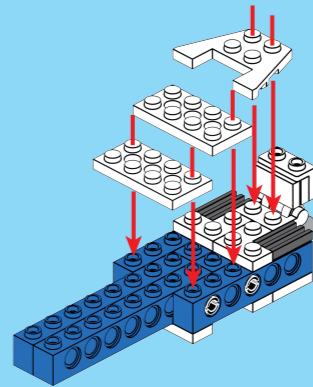
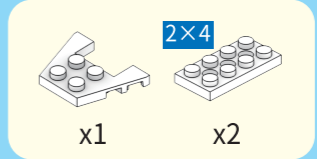
03



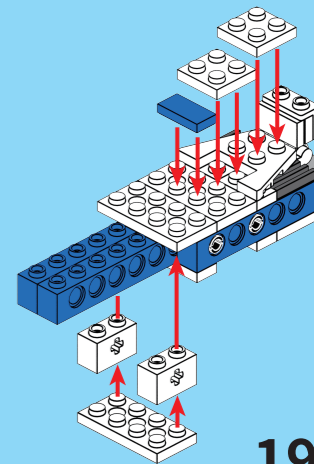
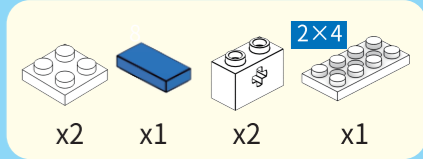
04



05

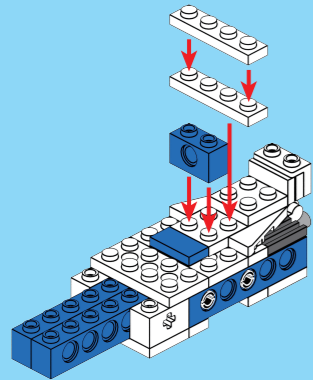
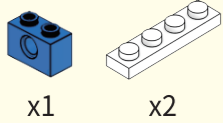


06



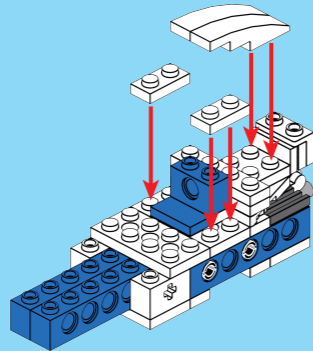
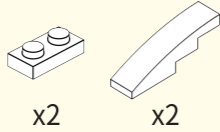
19

07

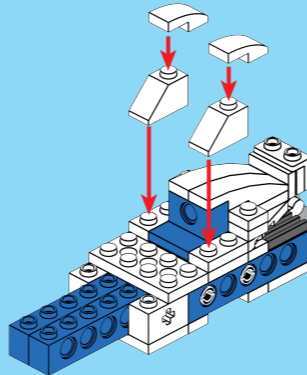
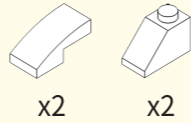


20

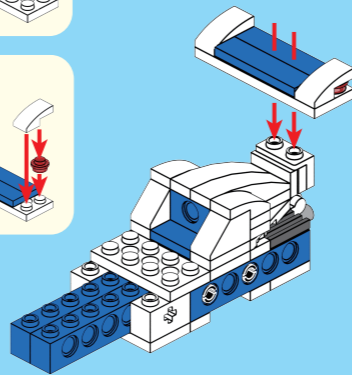
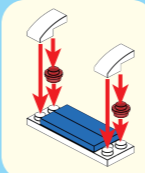
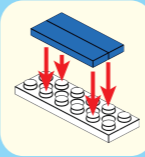
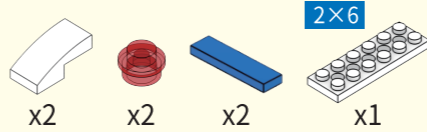
08



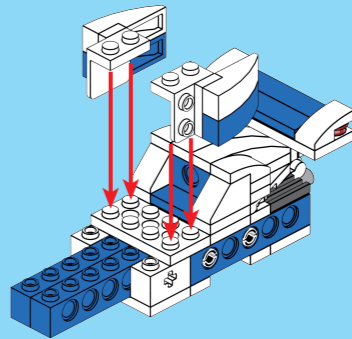
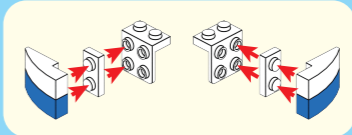
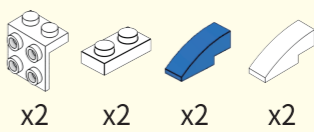
09



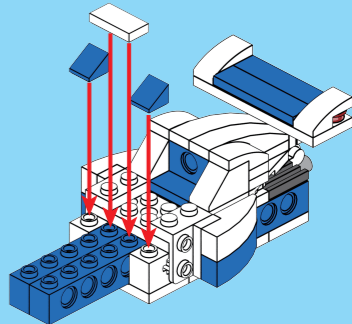
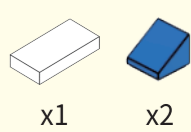
10



11

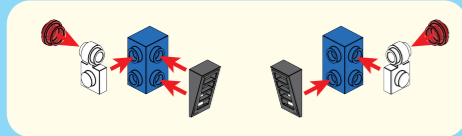
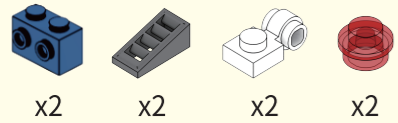


12

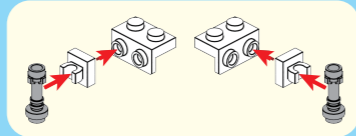
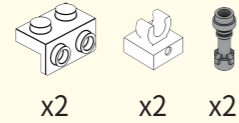


21

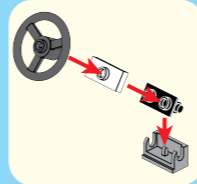
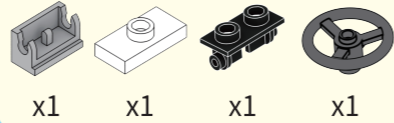
13



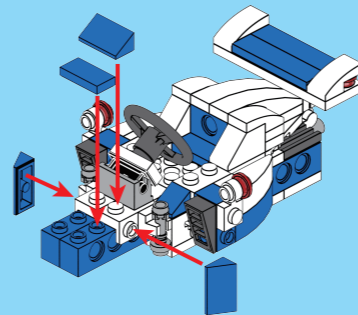
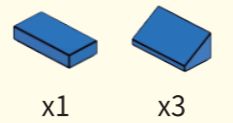
14



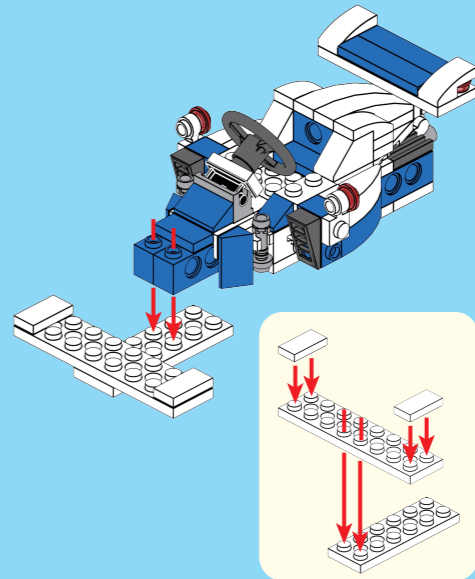
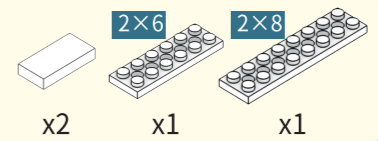
15



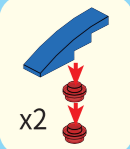
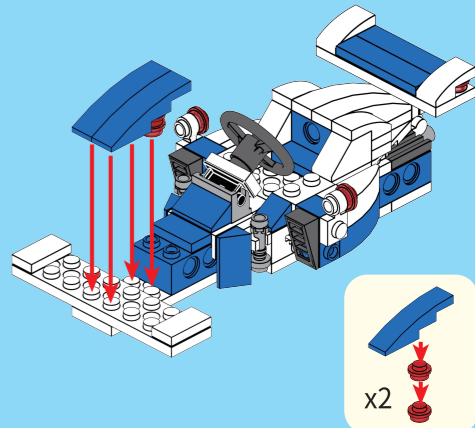
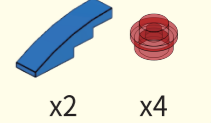
16



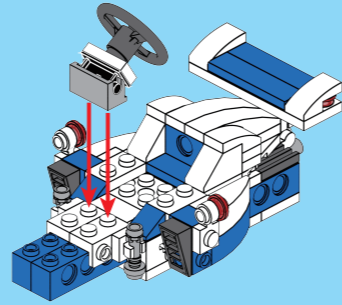
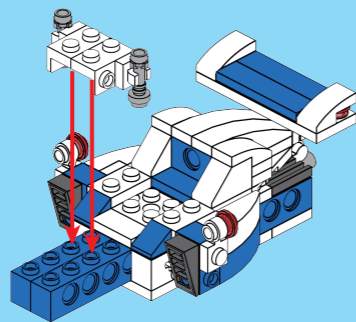
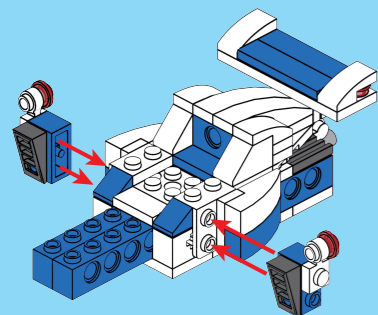
17



18



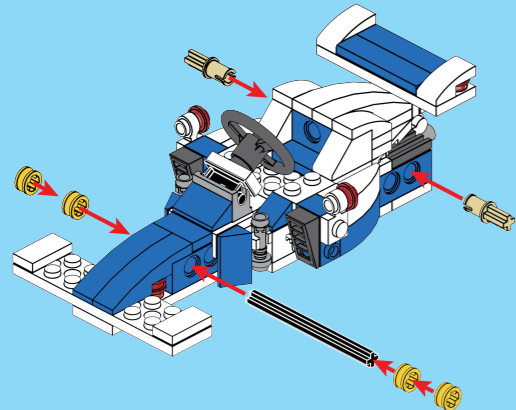
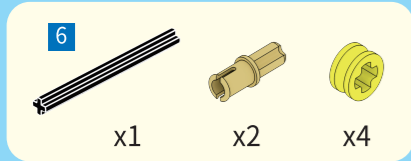
22



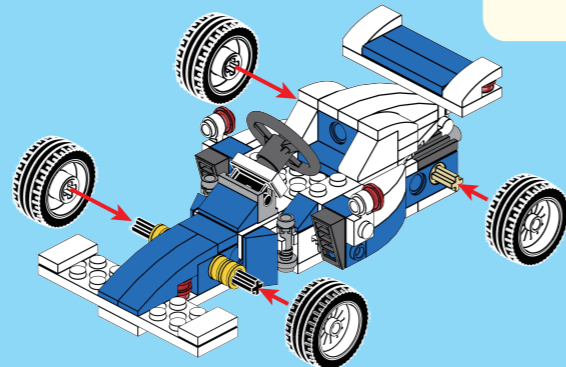
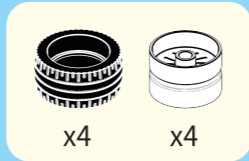
23



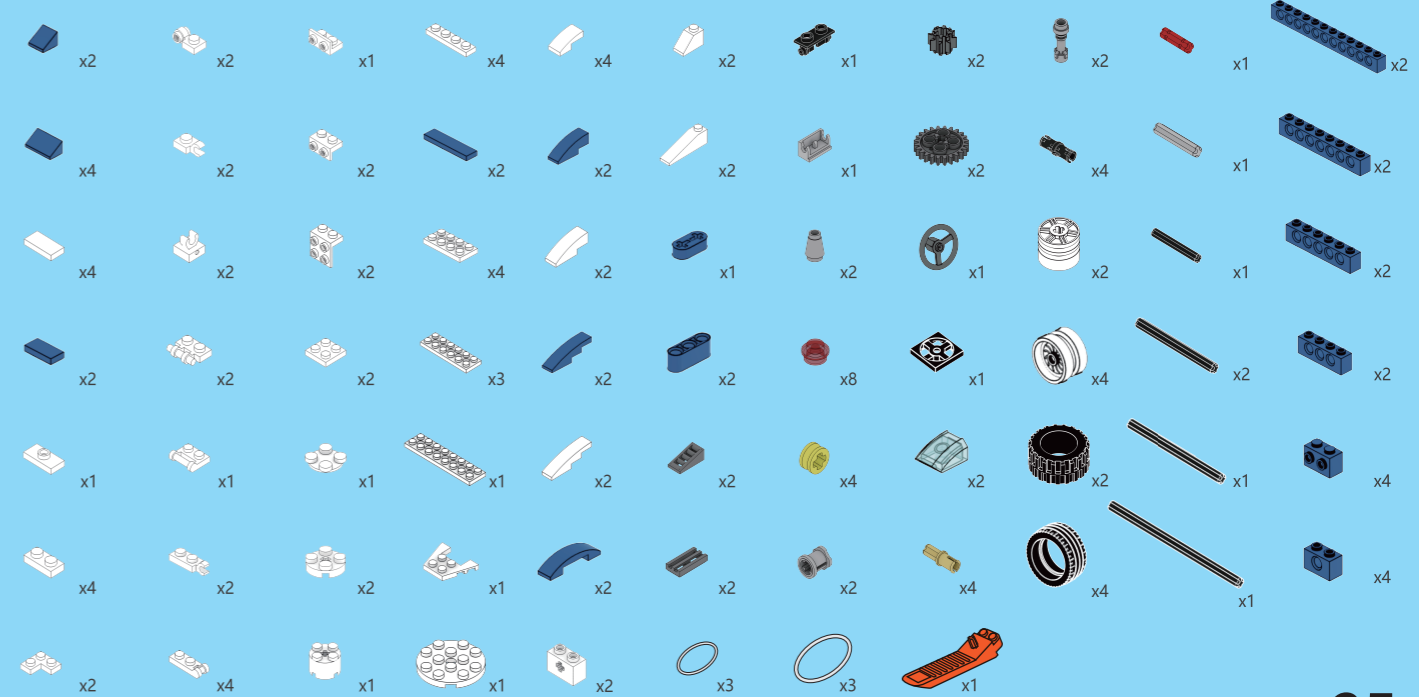
19



20



Parts List



24

25