

Find more ideas here.



iOS



Android

APP Download



CREATING
STEAM



Science · Technology · Engineering · Arts · Mathematics



makerzoid

SUPERBOT
MANUAL

MKZ-ID-SPB



Graphical Programming Control

About Superbot

Superbot kit can be built into different robots with the combination of the host controller, sensor, remote and blocks. The Robots can be controlled through smartphone APP or remote. And you can give an instruction to the robot and make it move automatically by making a Scratch graphical program on the APP.

Children can learn coding in an easier way with the Superbot, which helps improve children's hands-on ability and concentration, and develop their thinking ability by building different robot models.



Science



Technology



Engineering



Arts















Mathematics

CATALOG

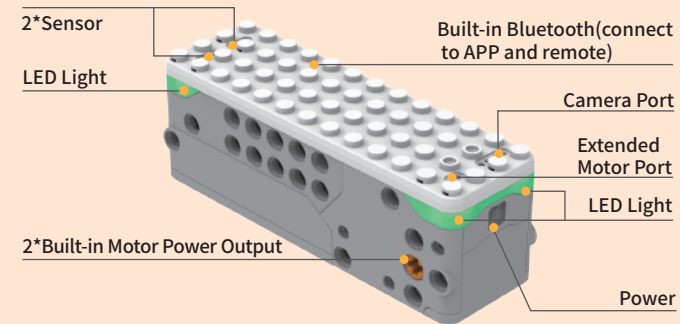
Host Controller	01
Distance Sensor	01
App Instruction	02
Remote Instruction	03
Pullback Car Assembly Guide	05
Dragon-Tiger Chariot Assembly Guide	10
Plough Car Assembly Guide	19
Building Block List	30
FAQ	31



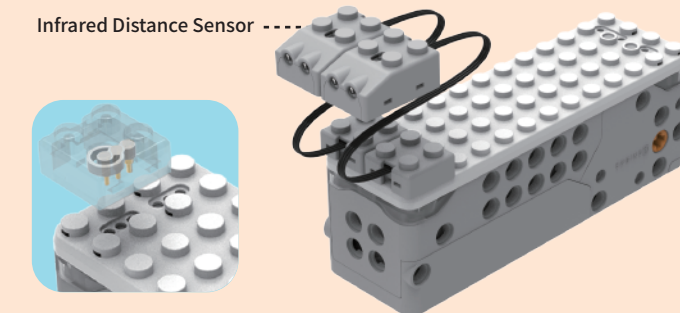
APP Download

-  Tiger
-  Football Robot
-  Sumo Robot
-  Drawing Robot
-  Chariot
-  Tricycle
-  Music Box
-  Telegraph Machine
-  Delivery Robot
-  Balance
-  Rubber Band Tricycle
-  Motorcycle

HOST CONTROLLER






DISTANCE SENSOR

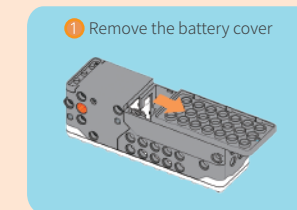
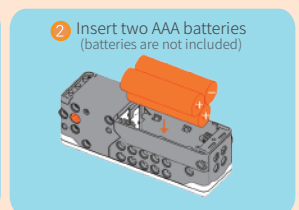
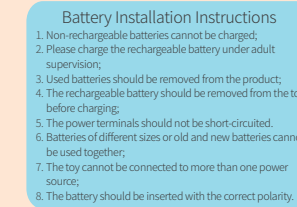


The infrared principle is used to realize the functions of measuring distance, avoiding obstacles, and patrolling lines, making the robot intelligent, and allowing children to truly experience the intelligent future.

Host Controller Power Mode

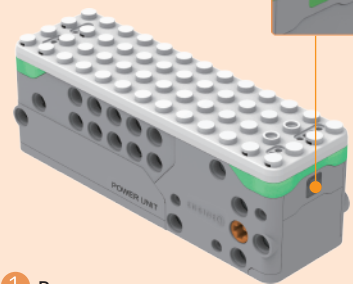
-  **Remote Pairing Mode**
Press the power button and immediately release it, the power button will flash red light, and the remote is in pairing mode (for 10 seconds)
-  **APP Paring Mode**
Press the power button and immediately release it. After the power button flashes red light for 10 seconds, it will change to a continuous flashing green light. At this time, it enters the app control pairing mode.
-  **Built-in Program Running Mode**
Long press the power button for 10 seconds and then release it, the robot will automatically execute the built-in program (you can modify the program in the APP programming page).

Installing the Battery

-  1 Remove the battery cover
 -  2 Insert two AAA batteries (batteries are not included)
 -  3 Put the battery cover back
- Battery Installation Instructions**
1. Non-rechargeable batteries cannot be charged;
 2. Please charge the rechargeable battery under adult supervision;
 3. Used batteries should be removed from the product;
 4. The rechargeable battery should be removed from the toy before charging;
 5. The power terminals should not be short-circuited.
 6. Batteries of different sizes or old and new batteries cannot be used together;
 7. The toy cannot be connected to more than one power source;
 8. The battery should be inserted with the correct polarity.

APP INSTRUCTION

App Connected to Host Controller



1 Power on.

After pressing the power button, immediately release it. After the power button flashes red for 10 seconds, it will change to a continuous flashing green light. At this time, it enters the APP control pairing mode.



2 Open the APP and click on the Bluetooth, then entering Bluetooth pairing mode.



3 Bring your device closer to the host controller and until the APP shows "successfully connect" and the host controller keeps flashing green light.

Interface Introduction



1 Remote Mode

Build the robot and then you can control it with the APP or remote.



2 Coding Mode

Use an official program or create your own program to control the robot.



3 Tutorial

Learn how to build and code through step by step practice.

REMOTE INSTRUCTION

For Remote Version Only

LED lights shifting and switch control

No. 1 Motor throttle stick (control motor clockwise and counterclockwise)

No. 1 Motor automatic operation switch

Power signal indicator

Light keeping on: Connected with the robot

Light flashing: Disconnected from the robot

No. 2 Motor throttle (Control motor clockwise and counterclockwise)

No. 2 Motor automatic operation switch

Power switch No. 1 Motor clockwise and counterclockwise settings

No. 2 Motor clockwise and counterclockwise settings

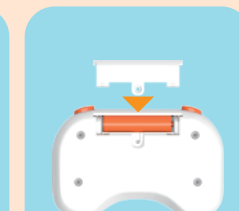
No. 3 Motor clockwise and counterclockwise settings



1. Remove the battery cover



2. Insert an AAA battery



3. Put the battery cover into the remote

How to Use the Remote

1. Motor forward and backward settings

Push down the No. 1 motor clockwise and counterclockwise button (clockwise)
Push up the No. 2 motor clockwise and counterclockwise button (counterclockwise)

2. Robot remote control

Forward:
Push the No. 1 and No. 2 throttle control forward

Backward:
Push the No. 1 and No. 2 throttle control backward

Turn left:
Push the No. 1 throttle control backward, the No. 2 throttle control forward

Turn right:
Push the No. 1 throttle control forward, No. 2 throttle control backward

Parameter

Connection mode: 2.4G wireless transmission
Remote control distance: Within 1.5 meters

Battery Installation Instructions

1. Non-rechargeable batteries cannot be charged.
2. Please charge the rechargeable battery under adult supervision.
3. Batteries of different sizes or old and new batteries cannot be used together.
4. Used batteries should be removed from the product.
5. The toy cannot be connected to more than one power source.
6. The rechargeable battery should be removed from the toy before charging.
7. The battery should be inserted with the correct polarity.
8. The power terminals should not be short-circuited.
9. This product does not contain batteries.

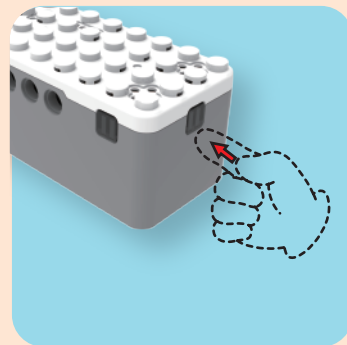
HOW TO CONNECT THE REMOTE TO THE HOST CONTROLLER



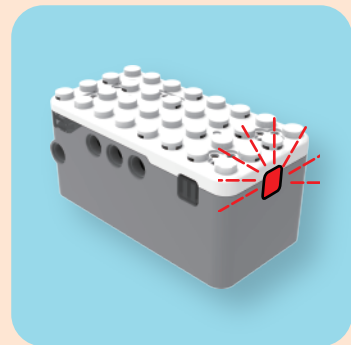
Push up the remote control ON/OFF button, press the switch



The red and green lights of the remote flash when turned on



Turn on the host controller



The red light of the host controller flashes when turned on



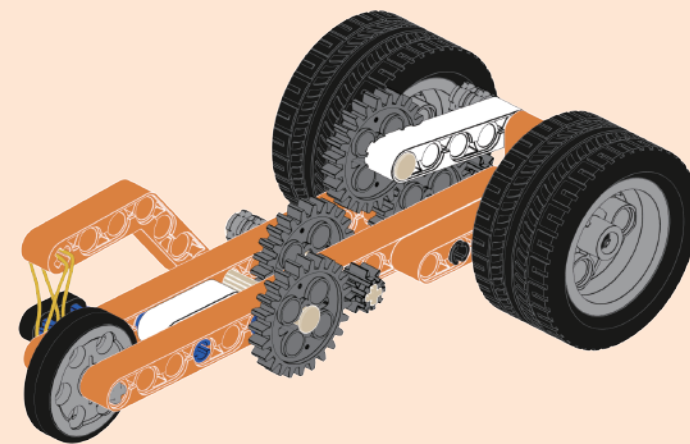
Place the remote close to the host controller, it means the remote control is paired with the host controller



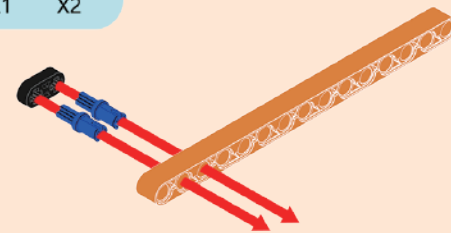
The light keeping on indicates the pairing is successful

Pullback Car

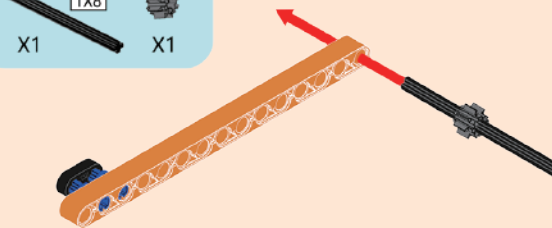
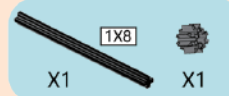
Difficulty Level



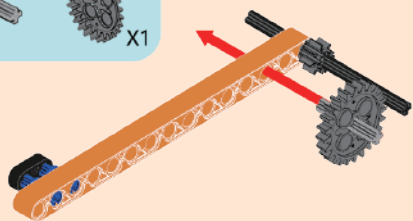
1



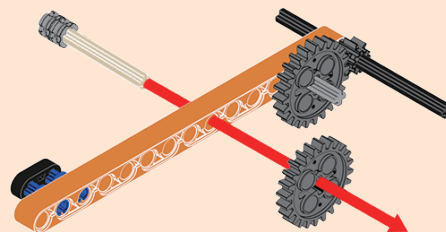
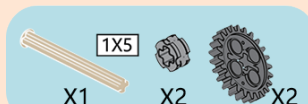
2



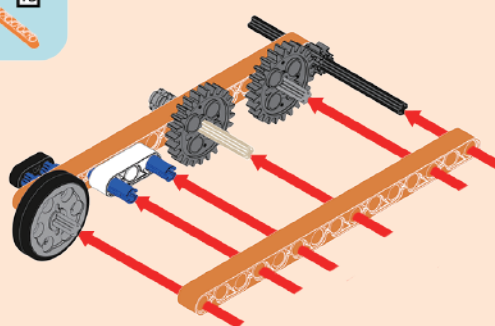
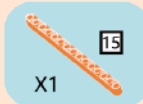
3



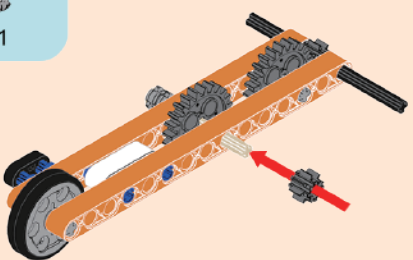
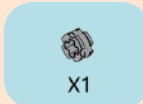
4



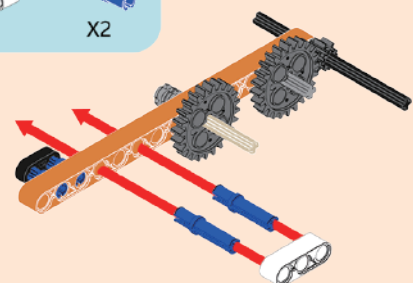
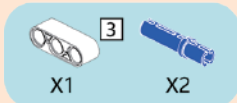
7



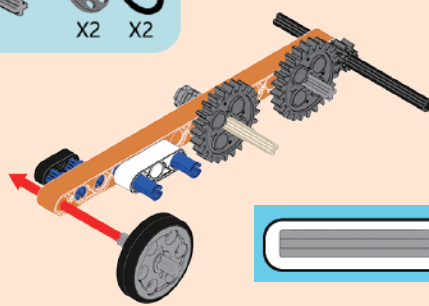
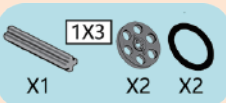
8



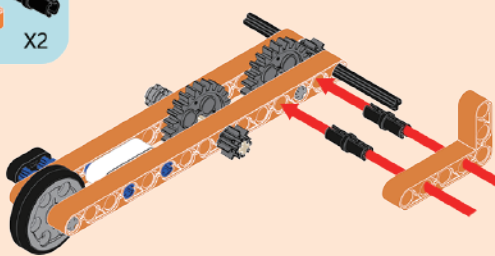
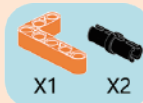
5



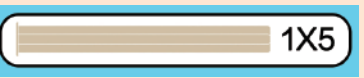
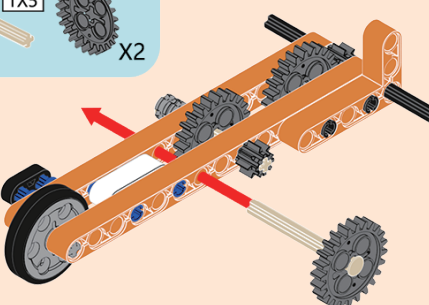
6



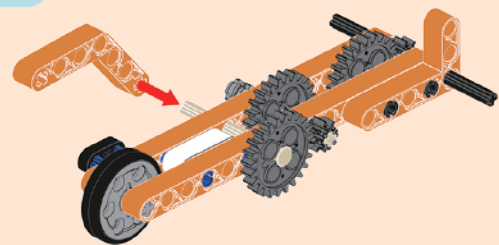
9



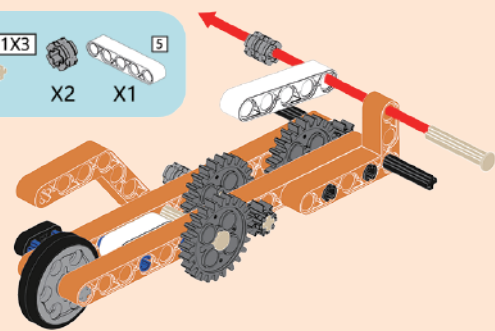
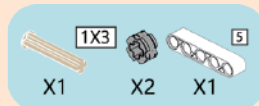
10



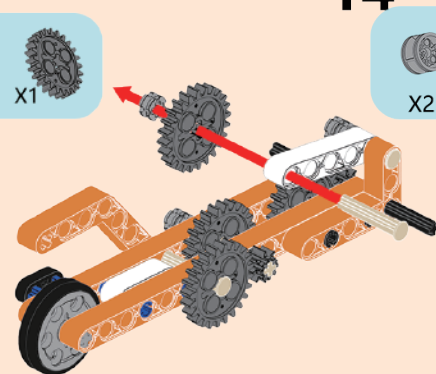
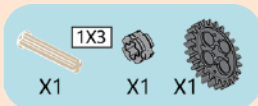
11



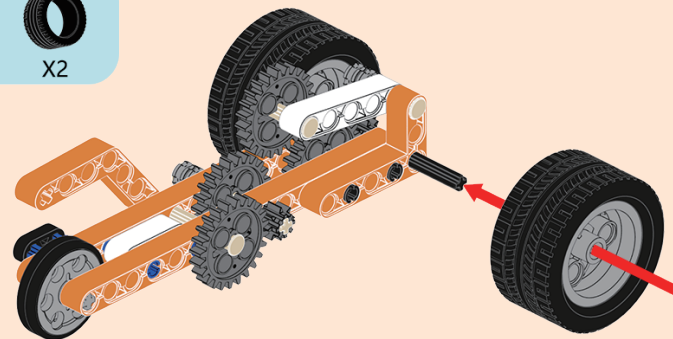
12



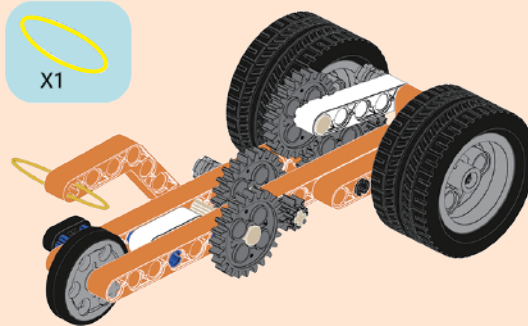
13



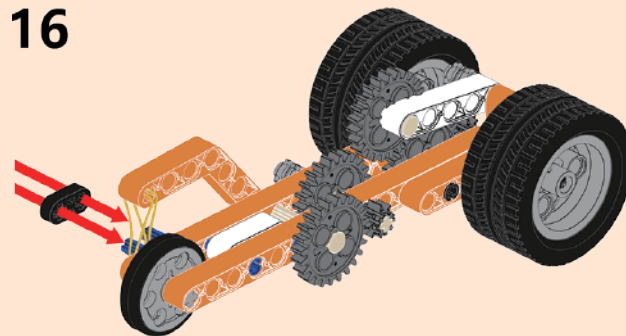
14



15

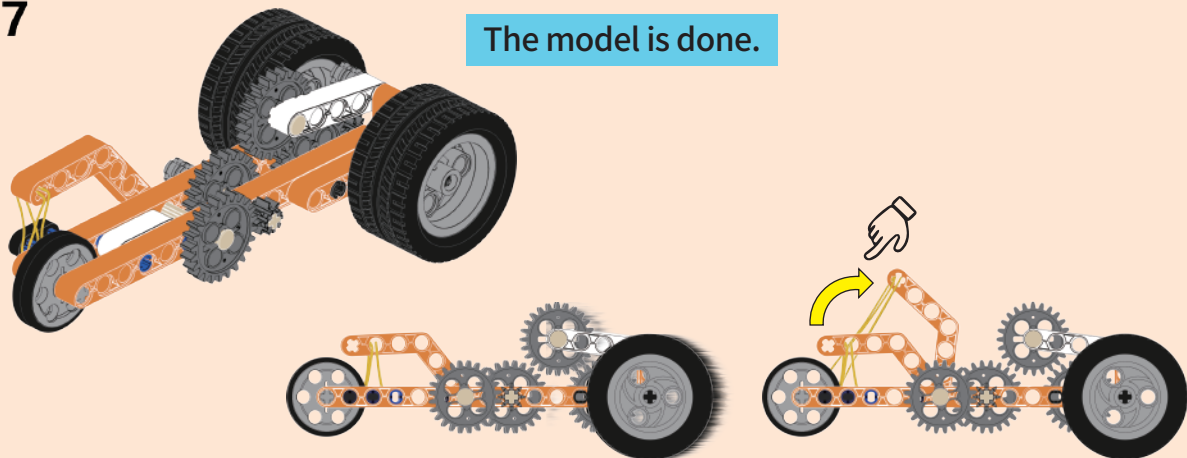


16



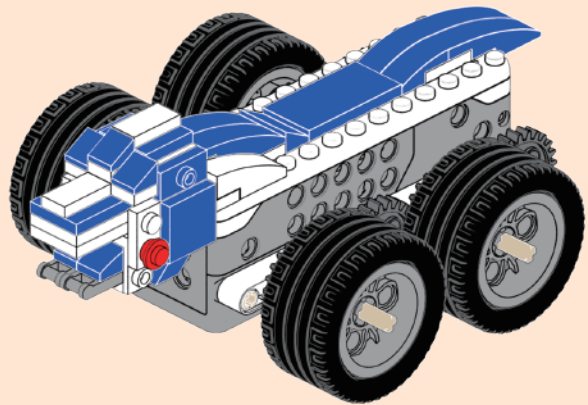
17

The model is done.

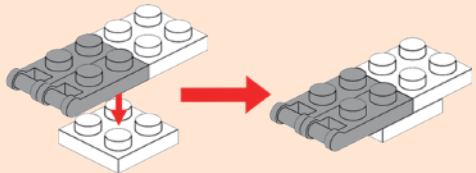
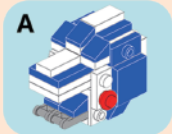


Dragon-Tiger Chariot

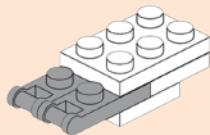
Difficulty Level



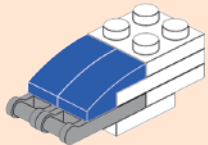
1



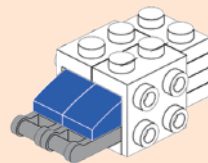
2



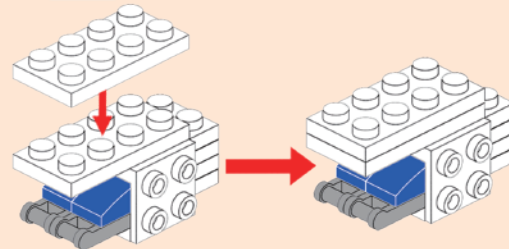
3



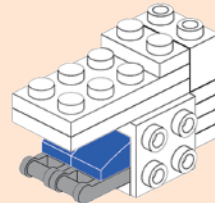
4



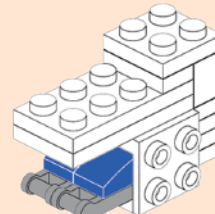
5



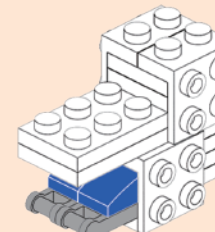
6



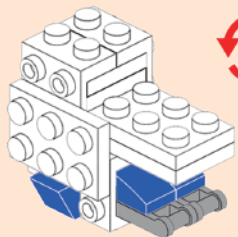
7



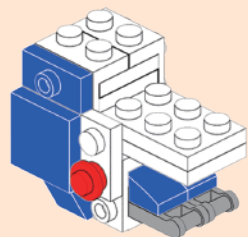
8



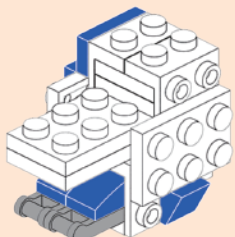
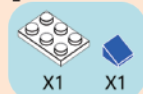
9



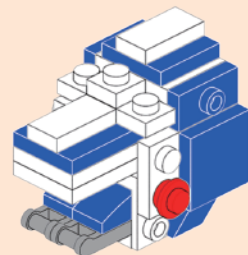
10



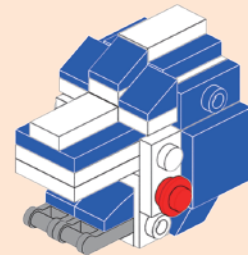
11



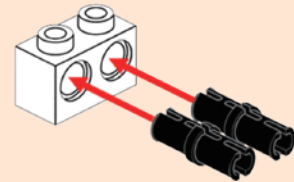
15



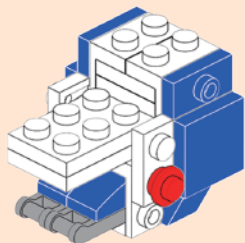
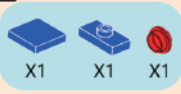
16



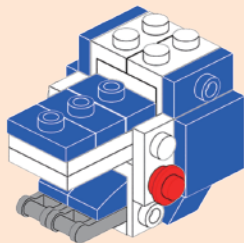
17



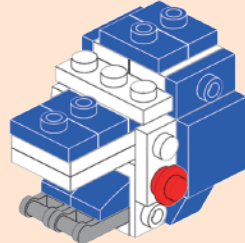
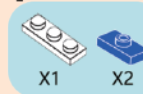
12



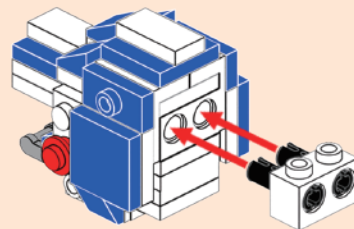
13



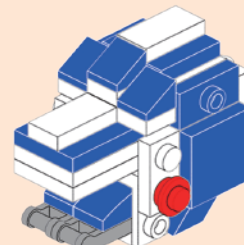
14



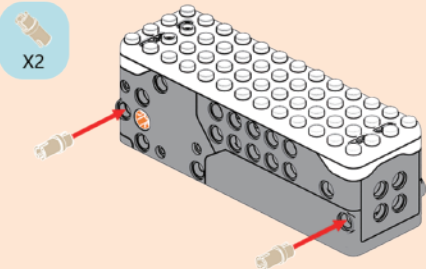
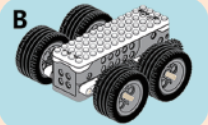
18



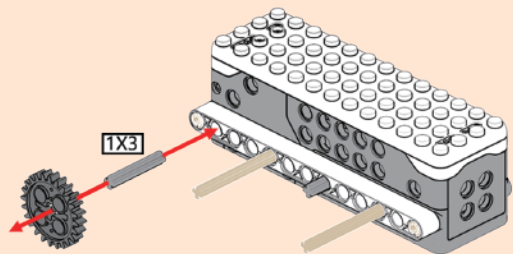
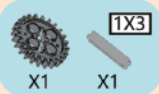
19



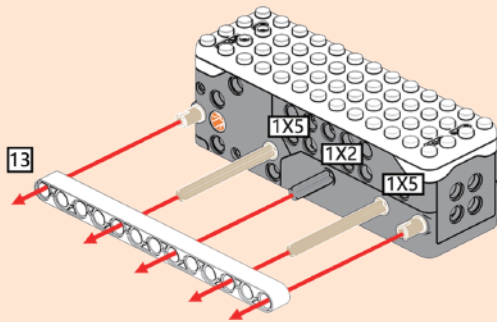
20



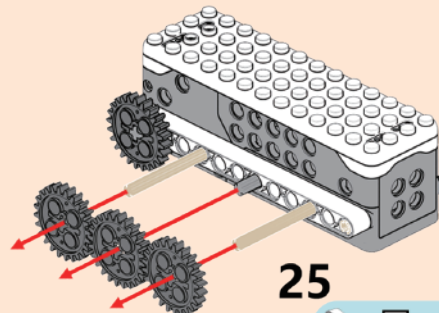
22



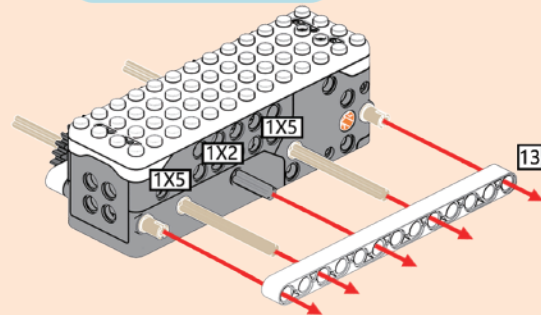
21



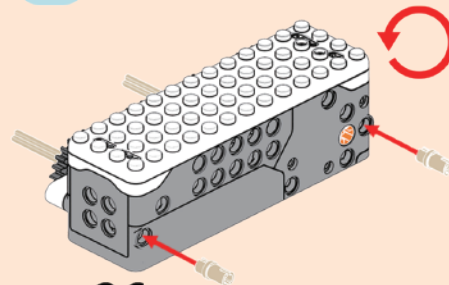
23



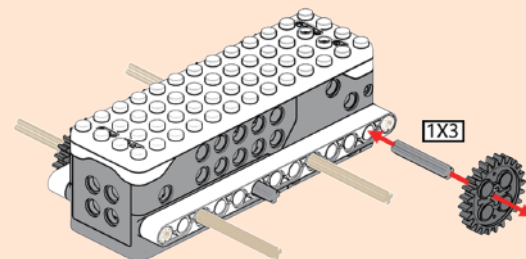
25



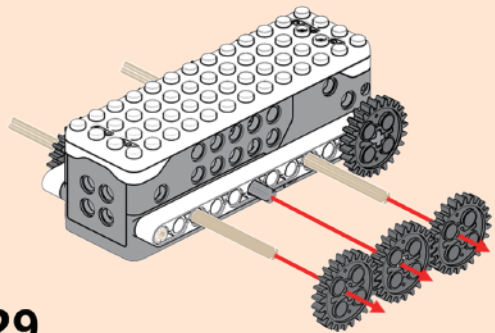
24



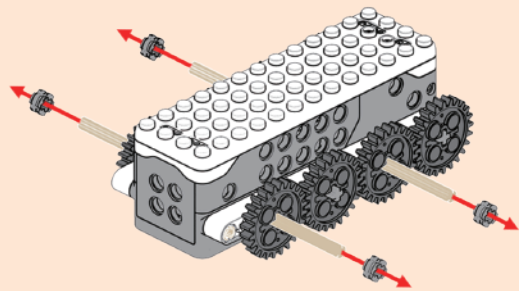
26



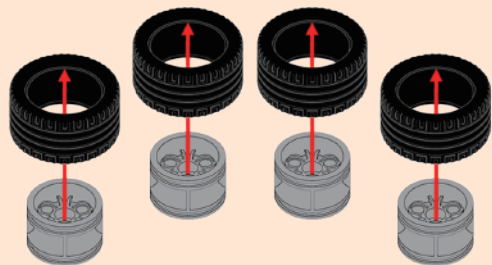
27



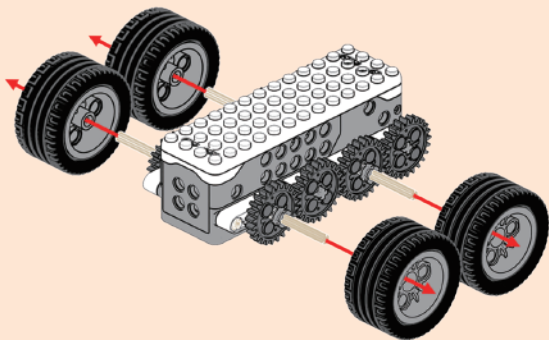
28



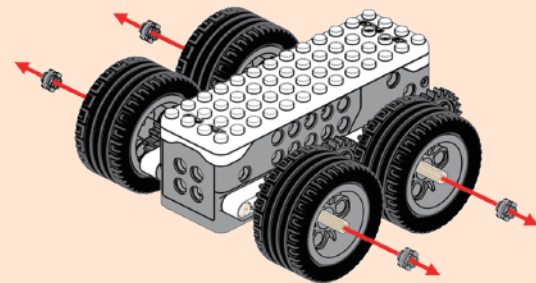
29



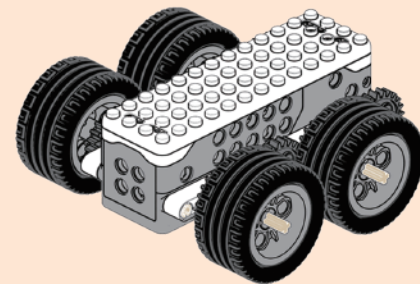
30



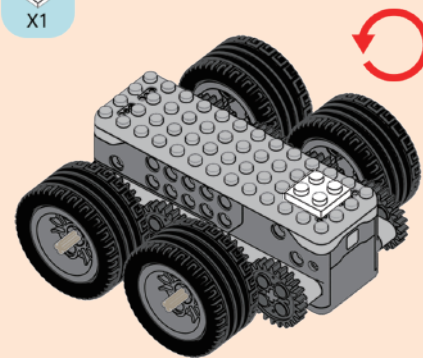
31



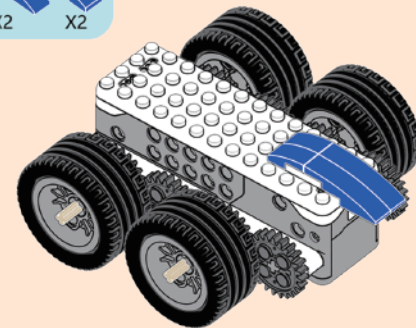
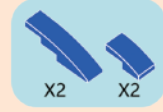
32



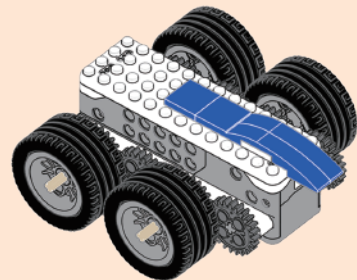
33



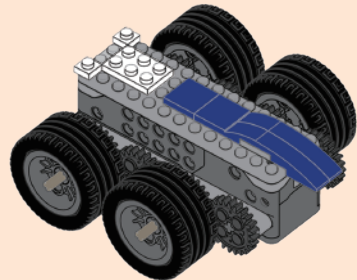
34



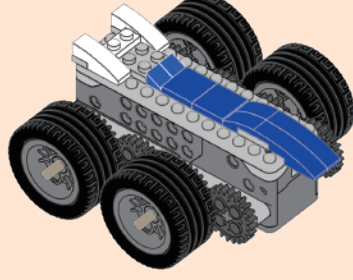
35



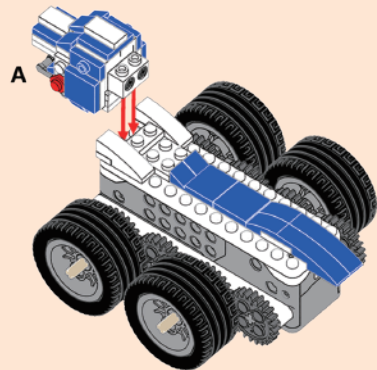
36



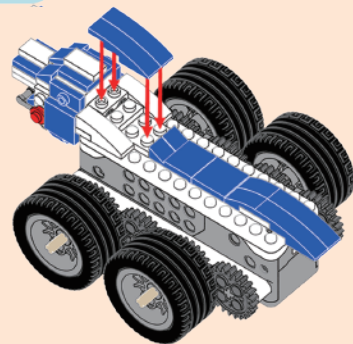
37



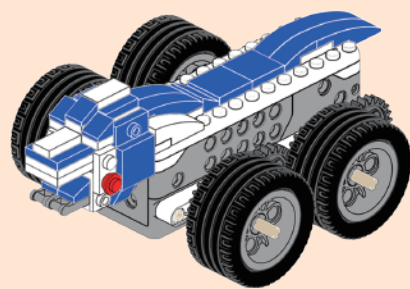
38



39



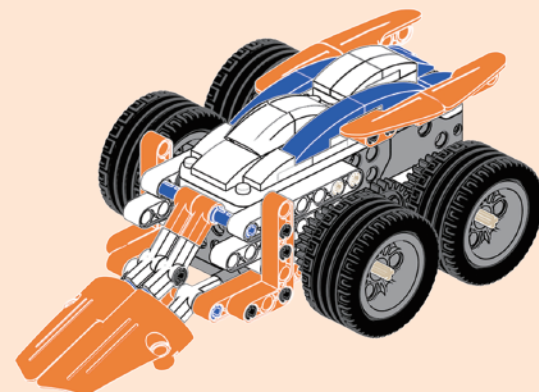
40



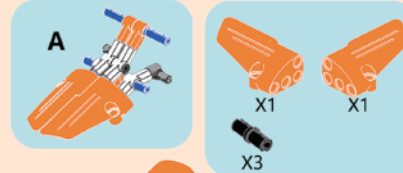
The model is done.

Plough Car

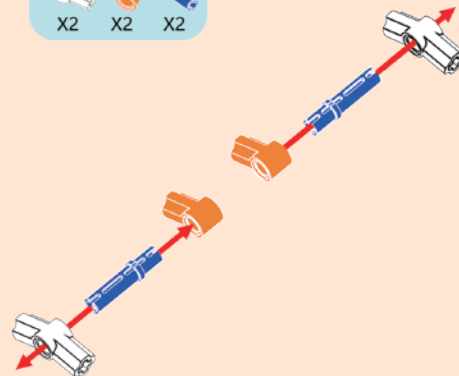
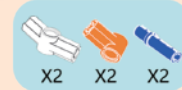
Difficulty Level



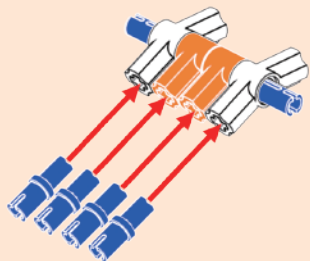
1



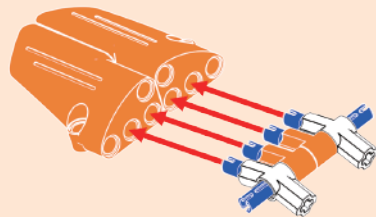
2



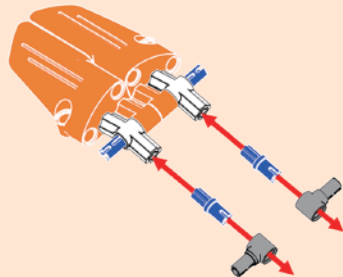
3



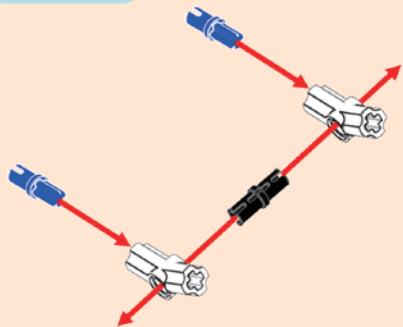
4



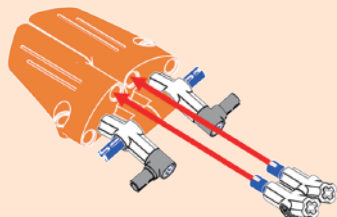
5



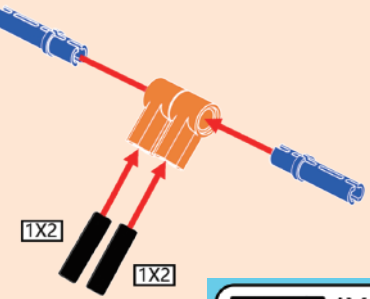
6



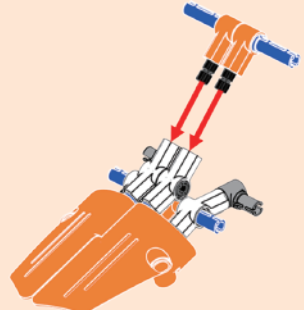
7



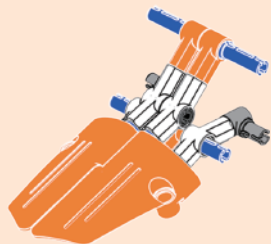
8



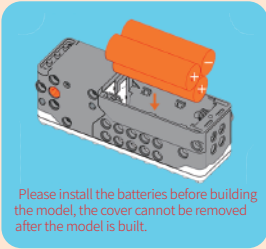
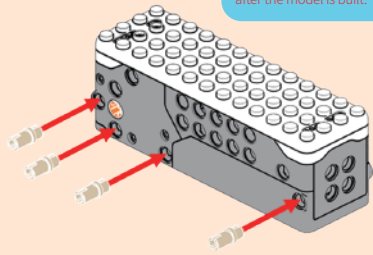
9



10

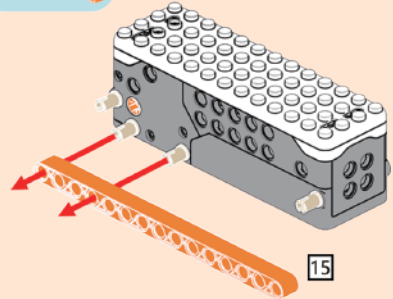
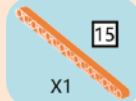


11

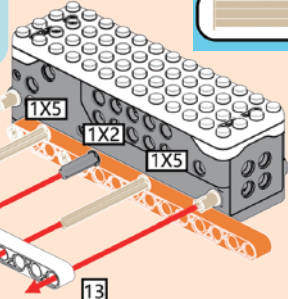
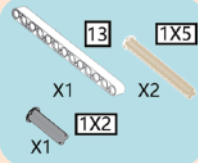


Please install the batteries before building the model, the cover cannot be removed after the model is built.

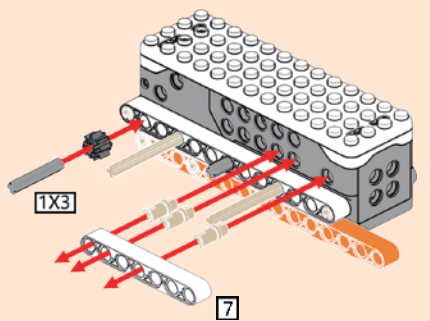
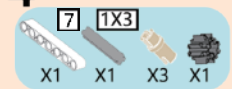
12



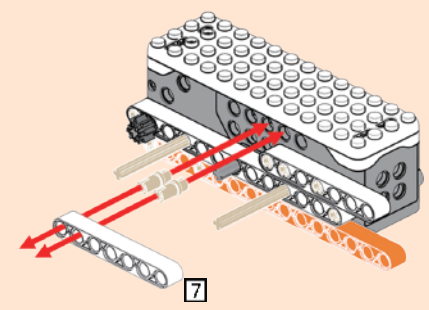
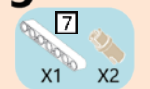
13



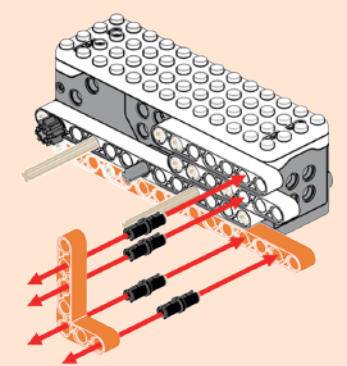
14



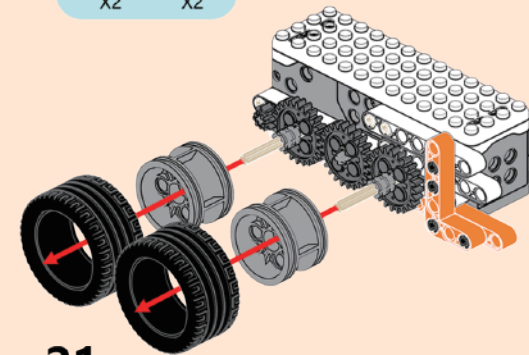
15



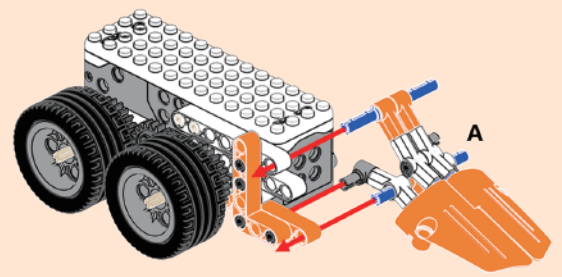
16



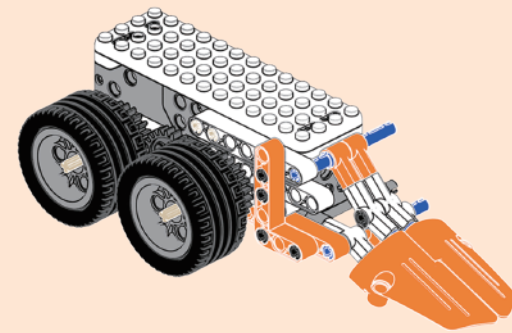
19



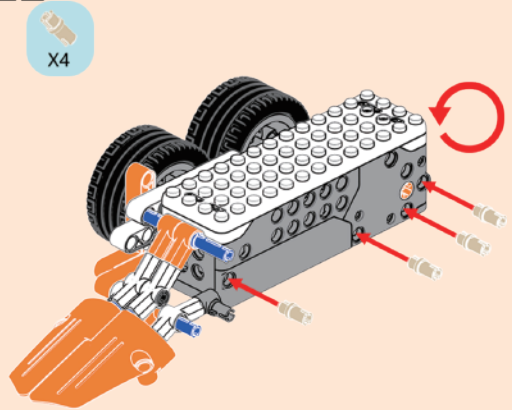
20



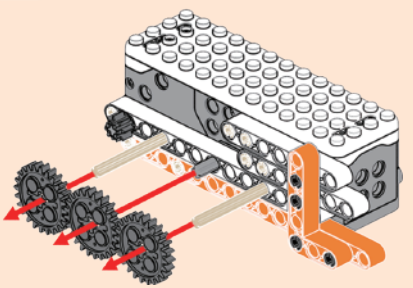
21



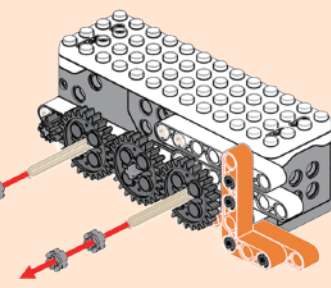
22



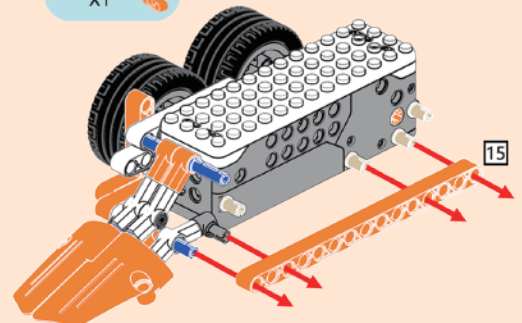
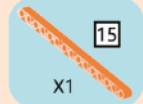
17



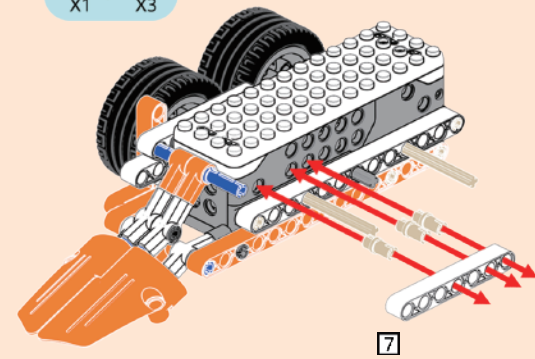
18



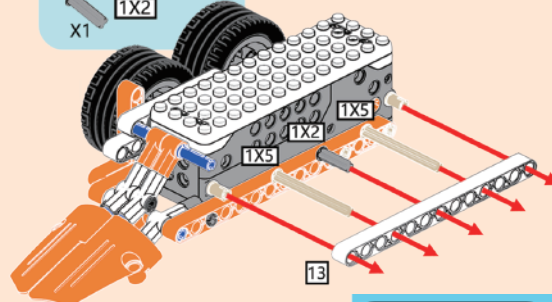
23



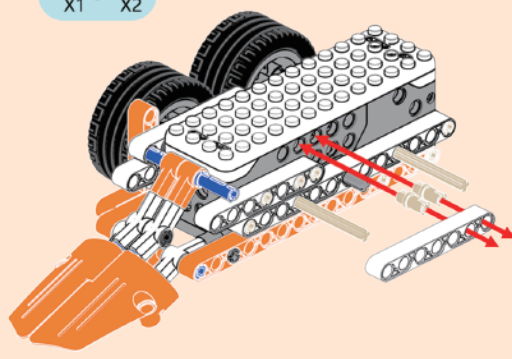
25



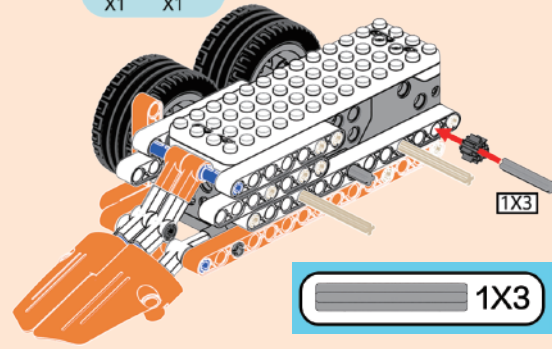
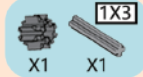
24



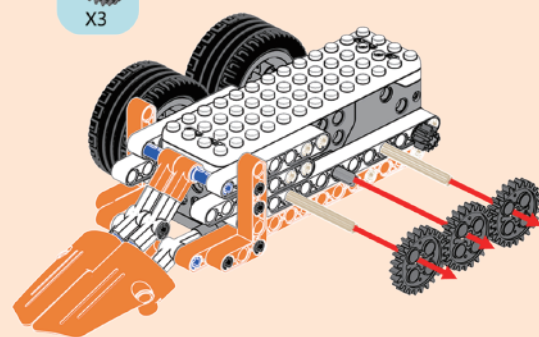
26



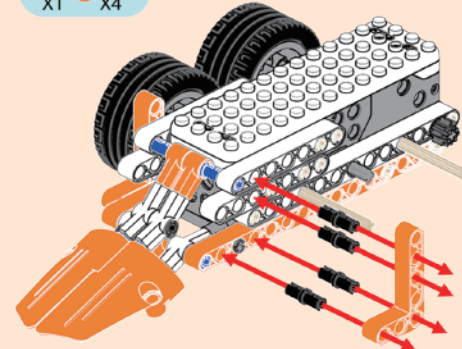
27



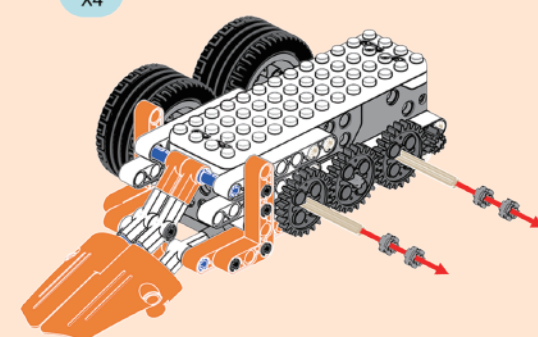
29



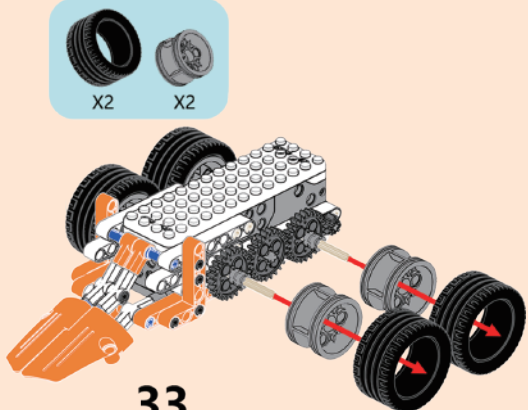
28



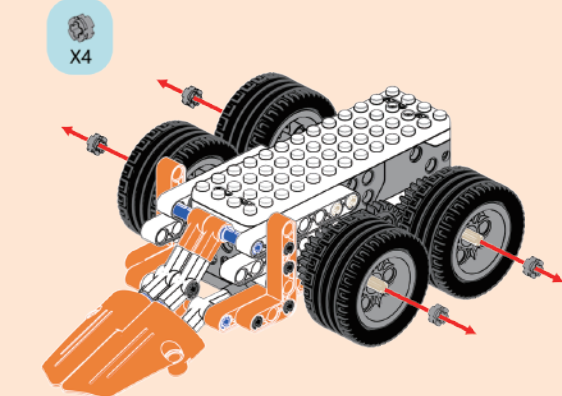
30



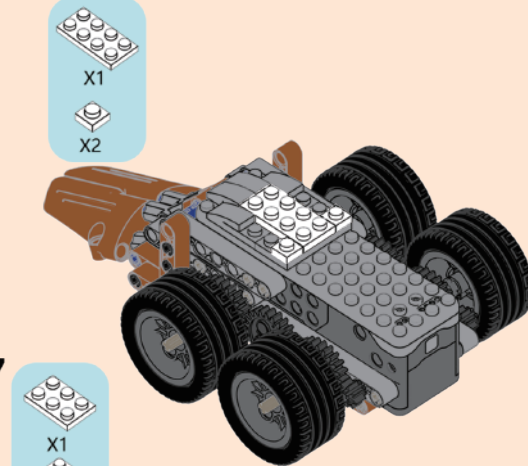
31



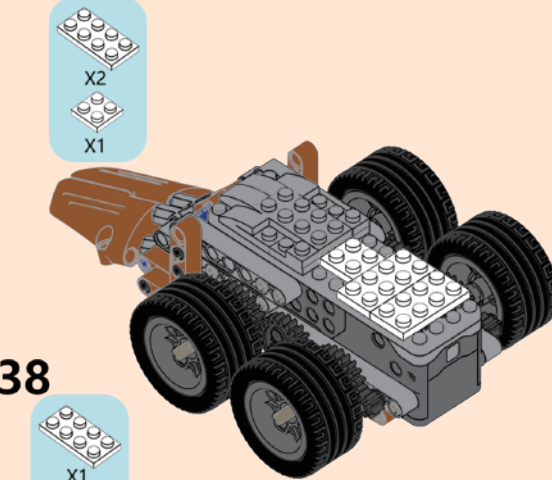
32



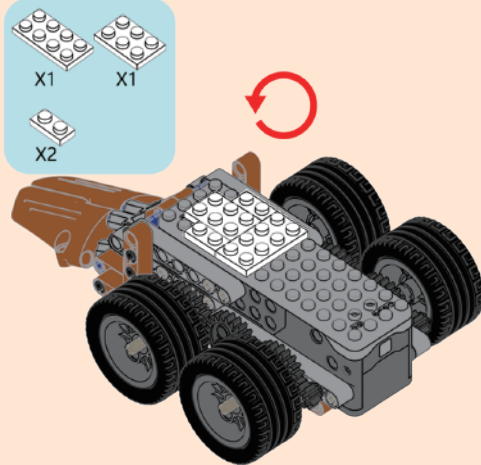
35



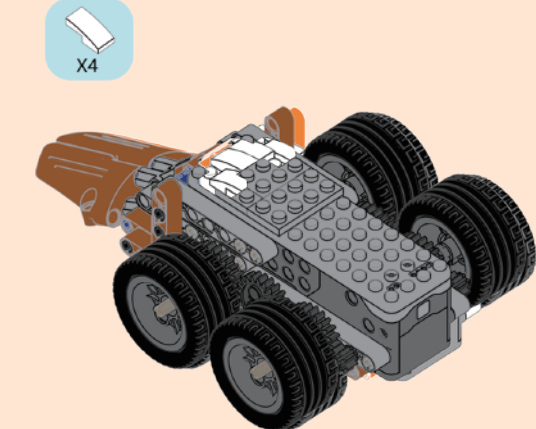
36



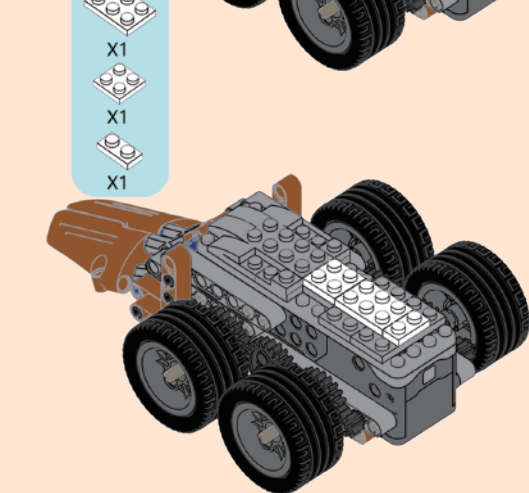
33



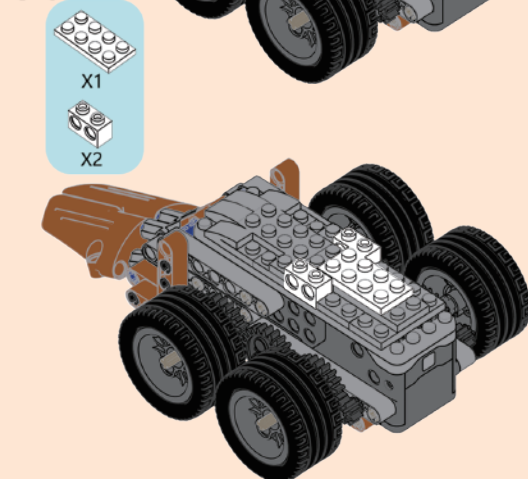
34



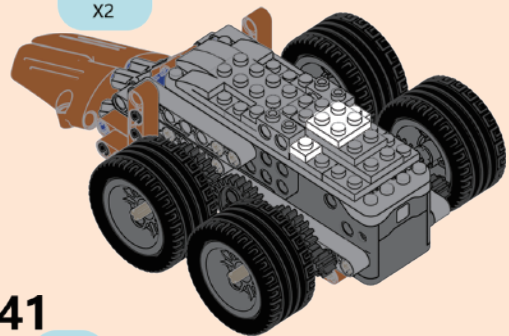
37



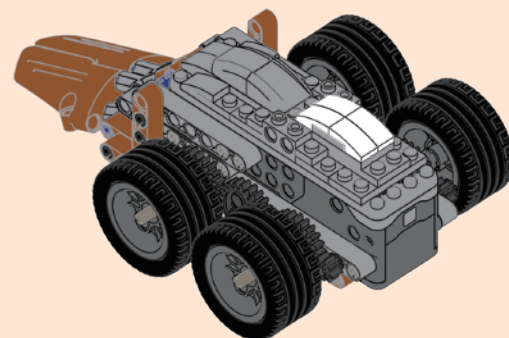
38



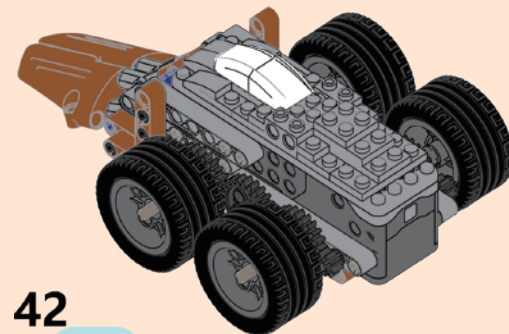
39



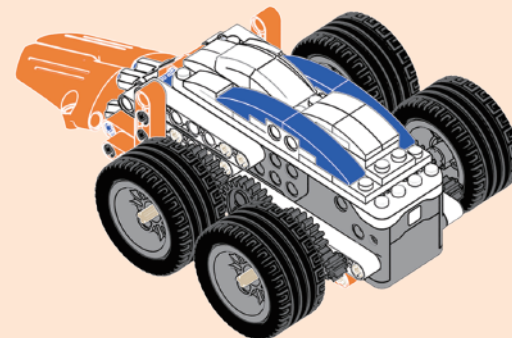
41



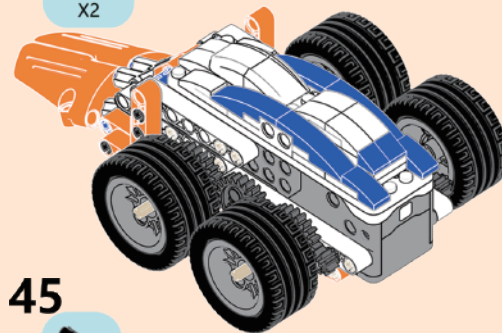
40



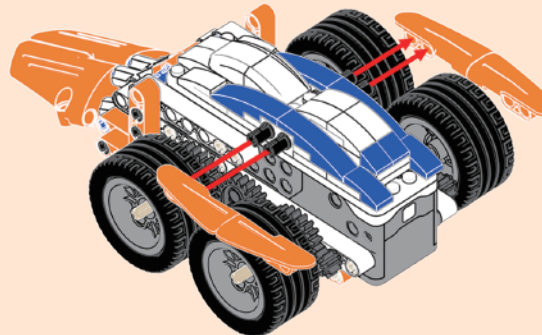
42



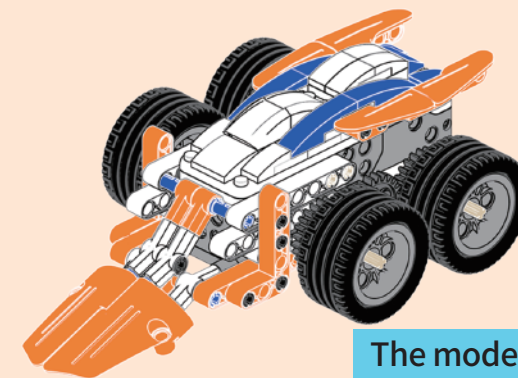
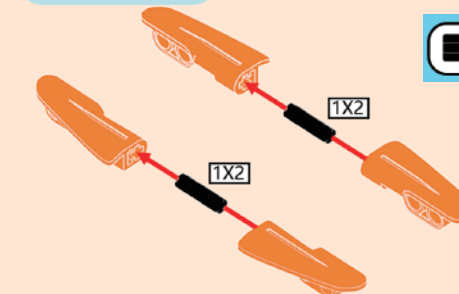
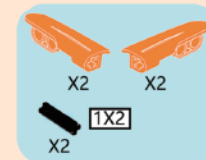
43



45

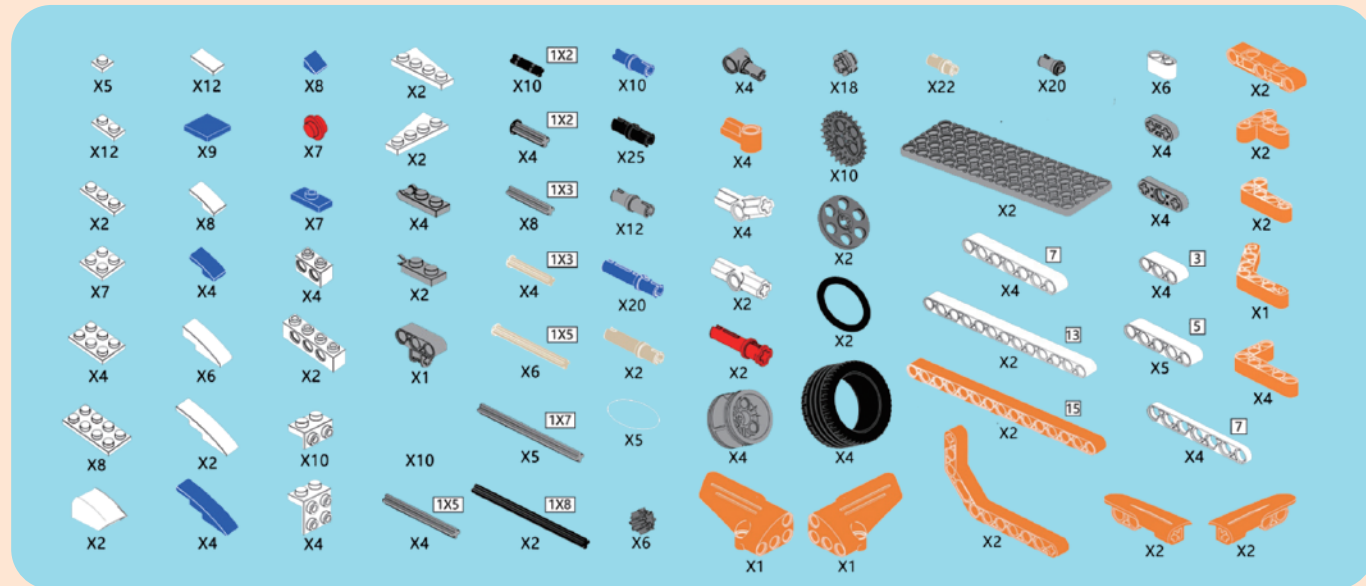


44



The model is done.

BUILDING BLOCK LIST



Warning! Do not aim at eyes or face.

Warning! Do not use projectiles not provided by the manufacturer.

Warning! This product contains small accessories, it is not children under 3 years old.

- This product contains small accessories, which may cause a choking hazard and is not suitable for children under three years of age.
- The user's manual contains important information, please keep it for future use.
- Rechargeable batteries should be charged under the supervision of an adult.
- Maintenance: This product shall not be used in water or a humid environment.
- Remove surface strains with a dry cloth before use.
- Do not mix old and new batteries.
- Do not mix alkaline batteries, standard (carbon-zinc) or rechargeable batteries.

FAQ

The host controller cannot be paired with the APP?

- Please check if the Bluetooth of your device is turned on. If the Bluetooth is off, please turn it on and connect it again after the host controller and APP are restarted.
- Please check if the power button of the host controller is flashing green. If not, please restart the host controller, wait for the red light to flash for 10 seconds, and then try to connect again when the green light is flashing.
- Please check if the host controller has been connected with other mobile phones or remote controllers.
- Please check that the host controller battery is sufficiently charged. If it is not, please change the battery and try to connect again.

The remote cannot be paired with the APP?

- Please check if the power button of the host controller is flashing red. If not, please restart the host controller and try to connect again when the red light flashes.
- Please check if the host controller has been connected with other mobile phones or remote controllers.
- Please check that the host controller battery is sufficiently charged. If it is not, please change the battery and try to connect again.

Product Details

Product Name: Superbot
 Model No.: MKZ-ID-SPB
 Suitable Ages: 6+ years old
 Connection Method: Bluetooth/2.4G
 Power Supply: 3×AA batteries (not included)

FCC ID : 2A2QK010A

FCC compliance statement

This device complies with Part 15 of the FCC Rules. Operation is subject to the following two conditions: (1) this device may not cause harmful interference, and (2) this device must accept any interference received, including interference that may cause undesired operation.

changes or modifications not expressly approved by the party responsible for compliance could void the user's authority to operate the equipment.

This equipment has been tested and found to comply with the limits for a Class B digital device, pursuant to Part 15 of the FCC Rules. These limits are designed to provide reasonable protection against harmful interference in a residential installation. This equipment generates, uses and can radiate radio frequency energy and, if not installed and used in accordance with the instructions, may cause harmful interference to radio communications. However, there is no guarantee that interference will not occur in a particular installation.

If this equipment does cause harmful interference to radio or television reception, which can be determined by turning the equipment off and on, the user is encouraged to try to correct the interference by one or more of the following measures:

- Reorient or relocate the receiving antenna.
- Increase the separation between the equipment and receiver.
- Connect the equipment into an outlet on a circuit different from that to which the receiver is connected.
- Consult the dealer or an experienced radio/TV technician for help.

FCC Radiation Exposure statement

This equipment complies with FCC radiation exposure limits set forth for an uncontrolled environment. This equipment should be installed and operated with minimum distance 20cm between the radiator and your body. This transmitter must not be co-located or operating in conjunction with any other antenna or transmitter.